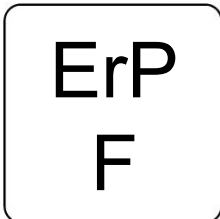
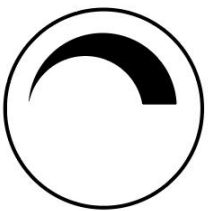
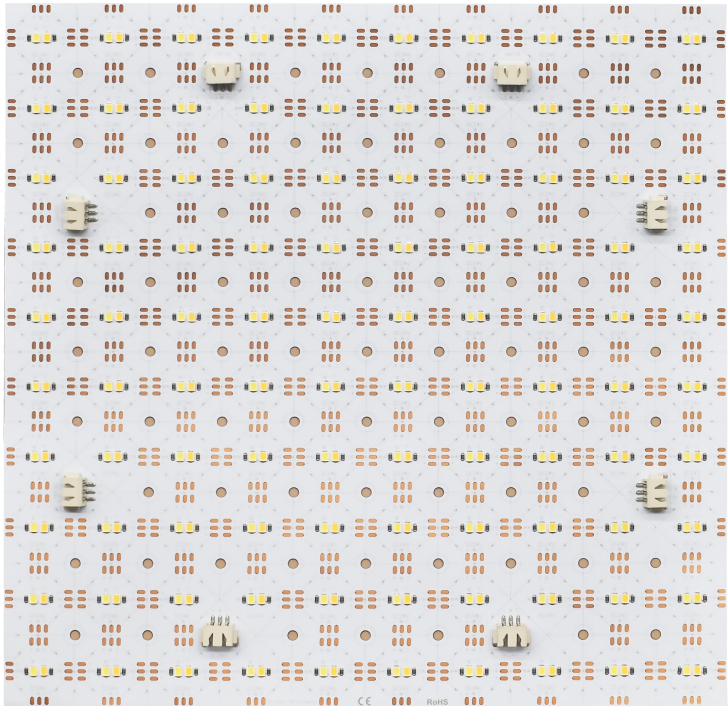


Model Number:
FLS-24V-2835-CCTX200



IP20		IP54	
CRI 80	CRI 90	CRI 95	CRI 97

SuperlightingLED is committed to provide high quality LED lighting product and superior service for market.

1. The LED are packaged with pure gold wires and large-size chips.
2. Only one Bin LED is used for each order, and keep the same Bin LED in subsequent orders to ensure the consistency of the product.
3. The production process adopts high-temperature, lead-free SMT technology, the solder joints are smooth and full.
4. Use double-layer PCB to ensure stable electrical performance.
5. Use original authentic 3M tape, strong and long-lasting adhesion.
6. A variety of installation accessories are optional, flexible and convenient to use.
7. Different IP grade are available: IP20 and IP54.
8. High light transmittance, environment friendly silicone material is used for waterproof product, colorless, odorless and anti-yellowing.

Product description

1. Dimensions: 250*250mm
2. Power: 24W/PCS
3. LED type: SMD2835
4. LED quantity: 200LEDs/PCS
5. LED color: 2200-6500K
6. Cut length:
DC24V 1LEDs/ 25*25mm
7. PCB material: double layer FPC
8. Life time: 36000hours
9. IP grade: IP20

Application

- Home decoration lighting
- Light box lighting
- Decoration of entertainment places
- Other auxiliary lighting

Product picture



Application scenarios



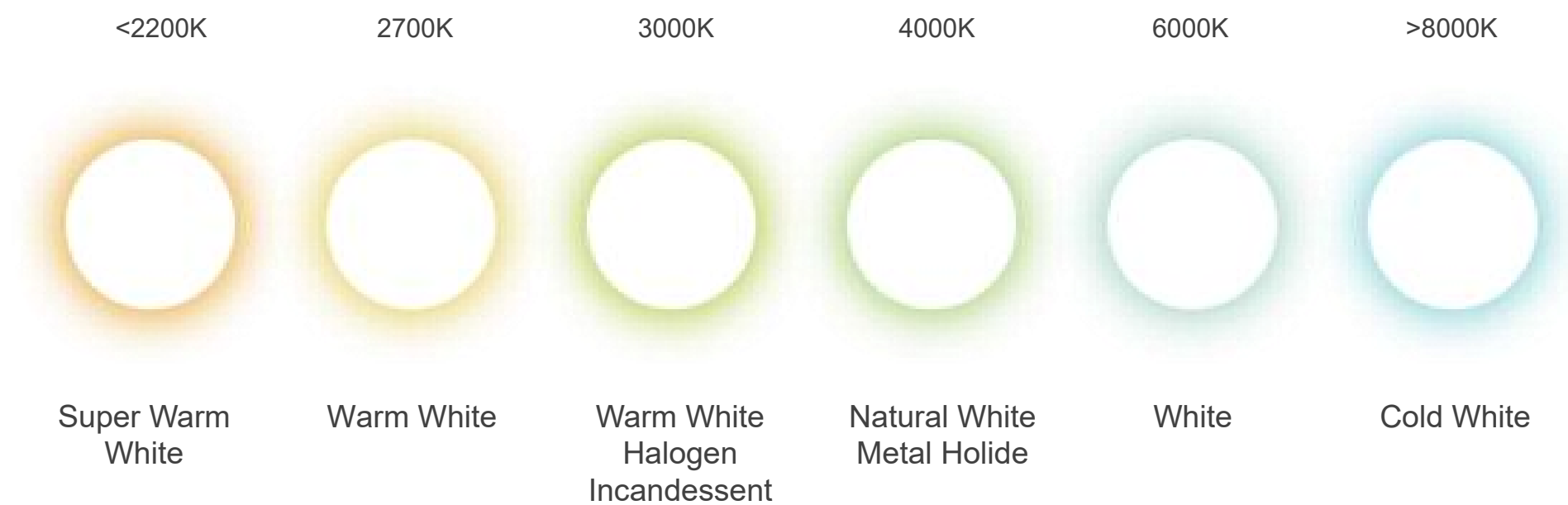
Technical parameters

Optical parameters(white)	Electrical performance parameters	Other parameters
Luminous: 2200Lm/PCS CCT: 2200-6500K CRI: Ra>90 Light efficiency: 90Lm/W	Voltage: DC24V Current: 1A Power: 24W/PCS	Storage temperature: -20~+60°C Working temperature: -20~+60°C Life time: >36000 hours Warranty: 3 years

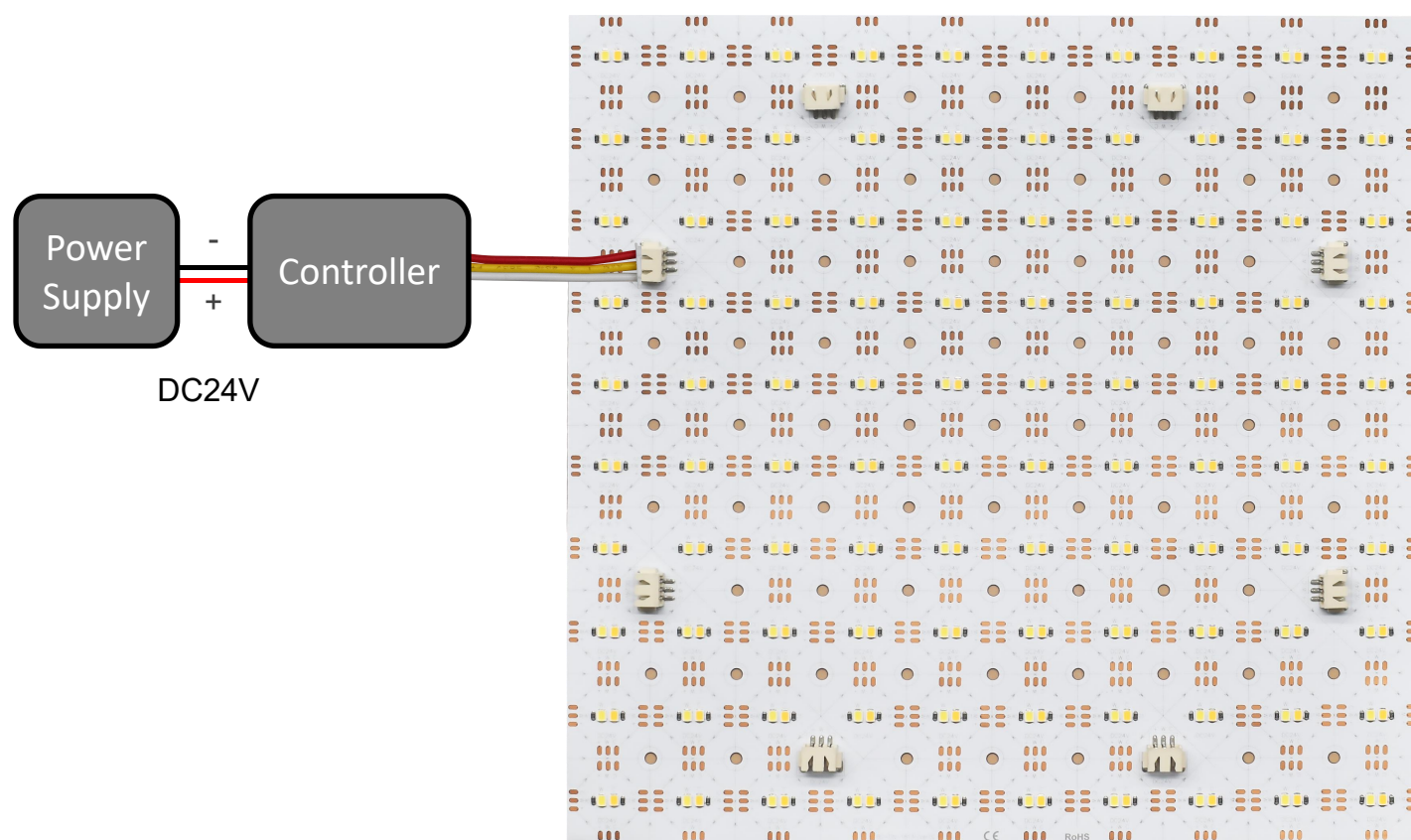
Dimensions



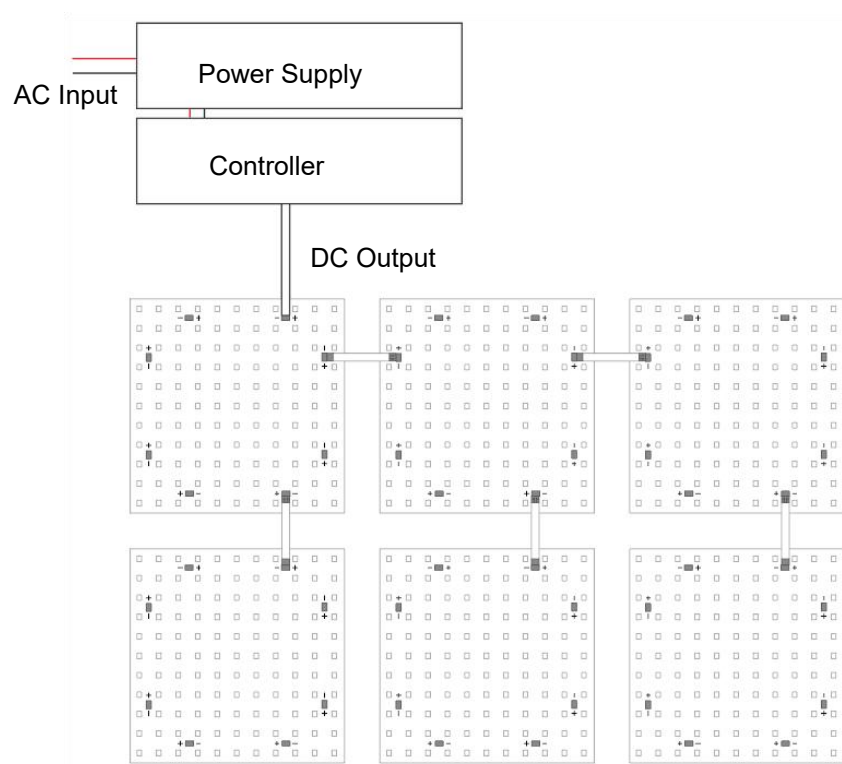
Color standard



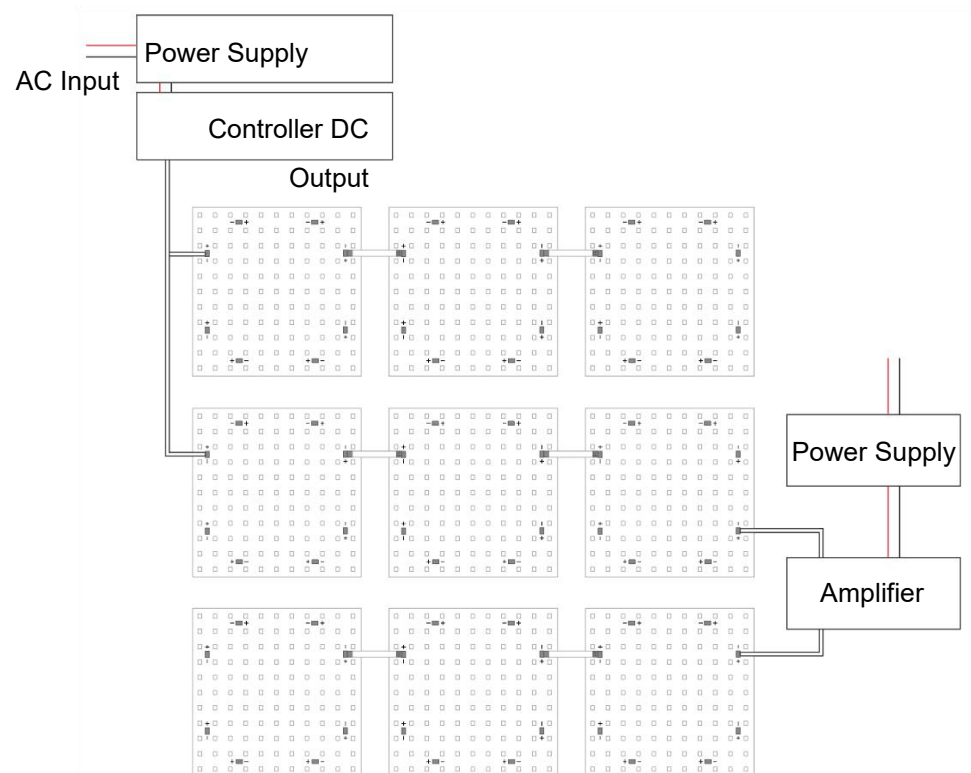
Connection diagram



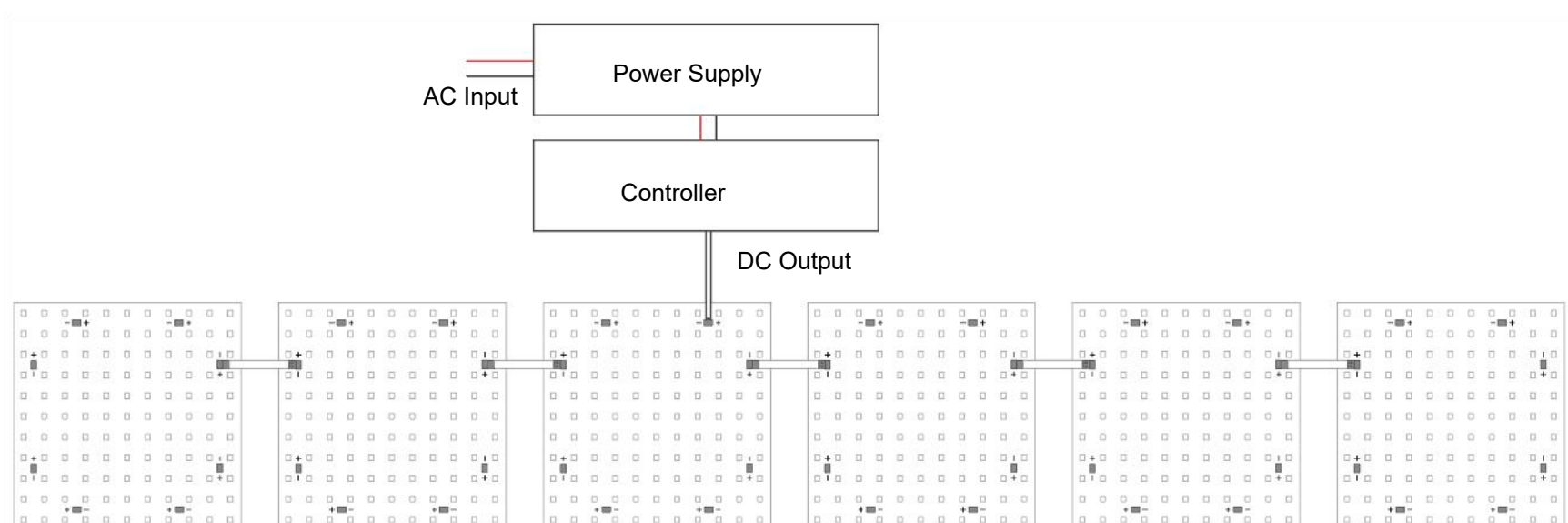
1. Connection method one



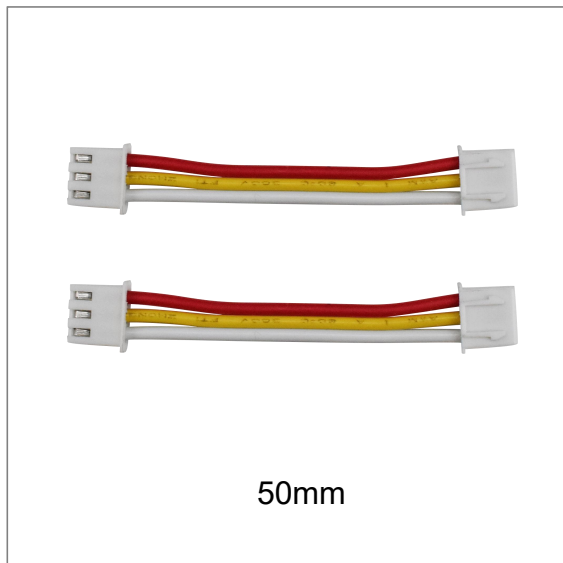
2. Connection method two



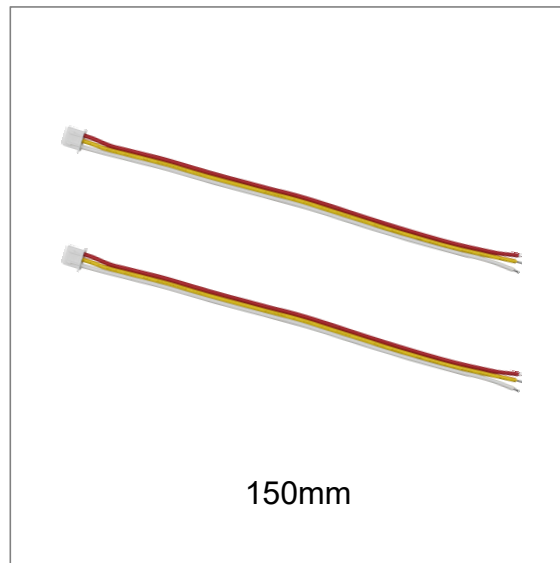
3. Connection method three



Accessories



Connection piece*2



Connecting line*2



Anti-collision silicone particles*8

SUPERLIGHTINGLED

SuperLightingLED Limited was established in 2011 and has been in the LED field for 13 years. Now it has developed into a high-tech enterprise that is committed to growing to be a worldwide innovation brand of LED Lighting, providing up to 12,000 kinds of LED Strip Light products, covering almost all home lighting fields.

Website: <https://www.superlightingled.com/>