



▶ Signal Amplifier User Manual

Specifications:

Parameter:

Working voltage: DC5V~24V

Working temperature: -20~60°C

Output:4 channels

Compatible IC type: WS2812B, WS2811, SK6812, SK6812-

RGBW, SM16703, WS2813, WS2815, CS8812, AL2815, WS2801, APA102,

SK9822, UCS1903, LPD6803, LPD8806, APA102

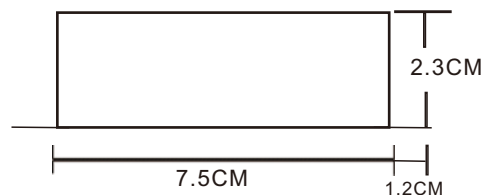
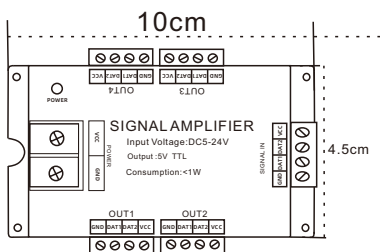
Static power consumption: <1W

Características:

Signal amplifier (repeater) receives one way SPI signal, out put signal

Symphony 4 control group, multi group Symphony of dream color striplight changes in effect, and an amplifier used for signal output via SPI, the theory can be cascaded Countless signal amplifier

DC5V~24V wide range of working voltage, but it cannot regulate the output voltage. That means the output voltage of power supply must be the same as the work voltage of your LED lights. The current through the amplifier is limited, when the current consumed is high, you need to add the power supply of the corresponding voltage.



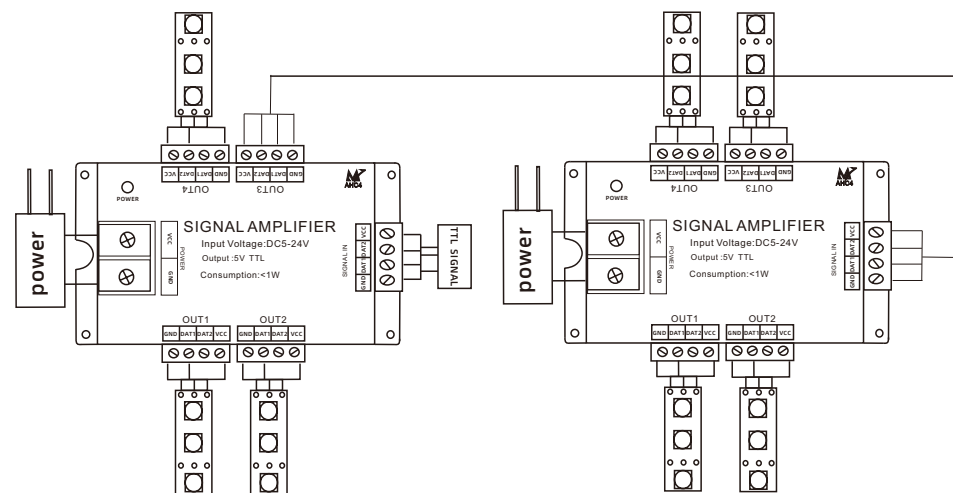
Precautions:

The controller cannot regulate the output voltage at the VCC. That means the output voltage of your power supply must be the same as the work voltage of your LED lights. If your lights need 5V input, please use a 5V power supply, don't use higher than 5V power supply. The current through the amplifier is limited, when the consumption current is higher, you need to add power supply of the corresponding voltage additionally.



▶ Signal Amplifier User Manual

Connection method



Connection method

