

# SUPERLIGHTINGLED

## Product Specification

FSLCOB-FREECUT-576DW8-TIN



Confirmation	Approval	Audit	Date	Version
BOB	Yanan Lin		2024/11/4	2.0

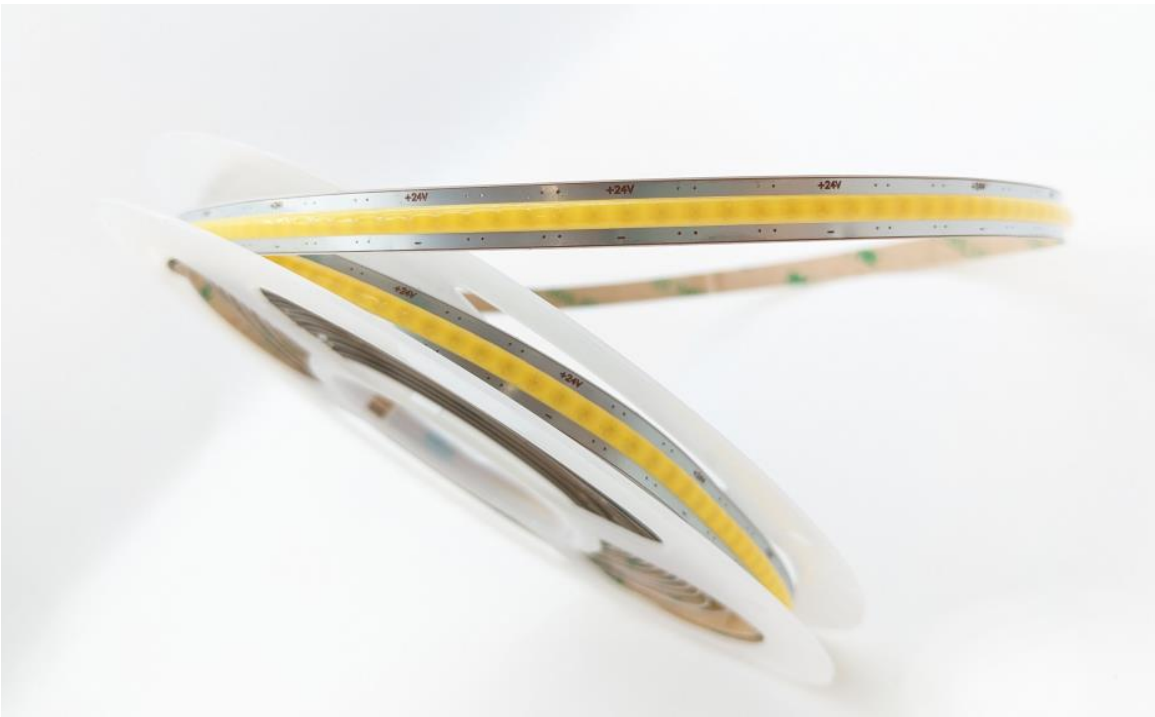
## Features

Chips-on-board design, dot free without any profiles

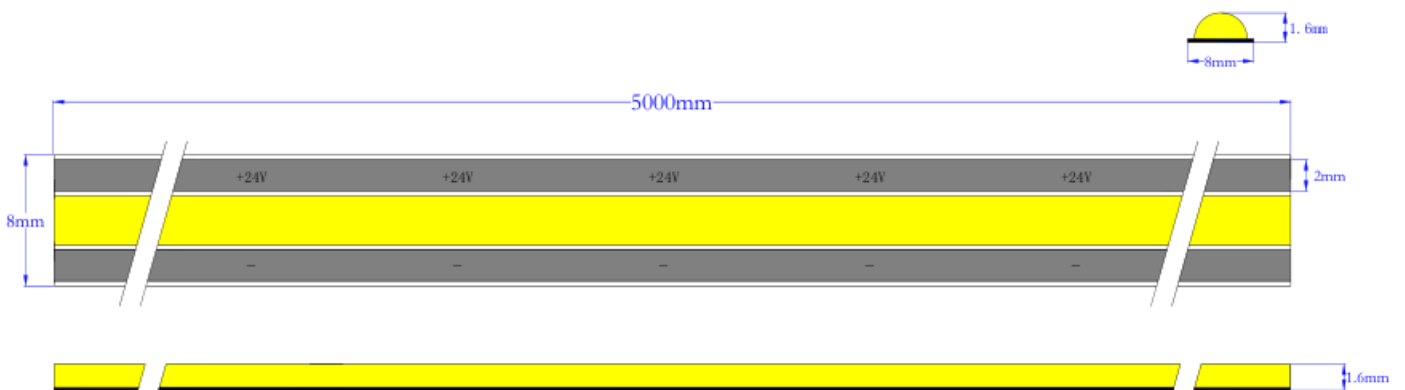
Free-Cut design with a straight line of tinned revealed on the surface, the ultimate solution of small cut, flexible installation in furniture lighting or decorative lighting.

Double layer 2oz PCB, for better flexibility, heat dissipation and voltage drop.

## Picture



## Dimensions

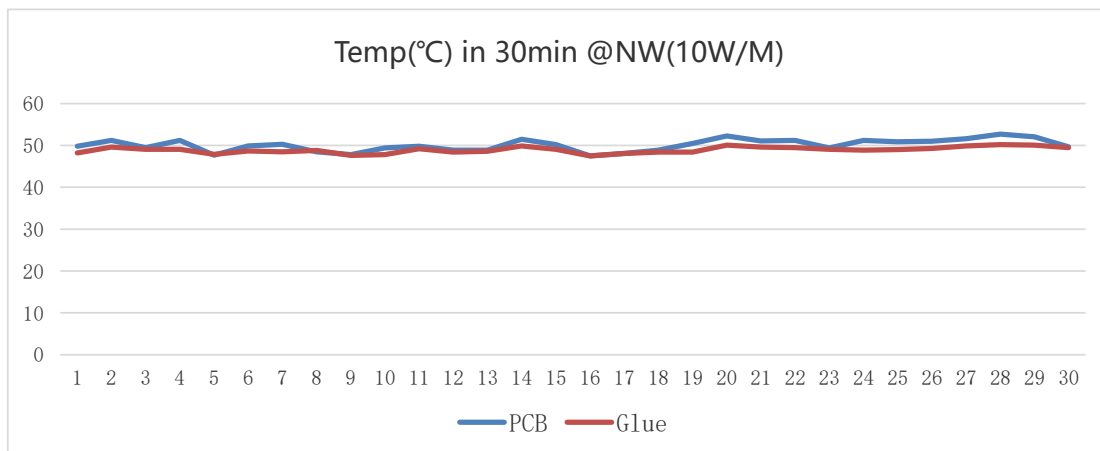


## Specifications

Item NO.	FSLCOB-FREECUT-576DW8-TIN							
Code	COB528208-FC							
Input Voltage	24Vdc							
Power	9.2W/m							
CRI	Ra 80+ (Unavailable)				Ra90+			
CCT	2700K	3000K	4000K	6500K	2700K	3000K	4000K	6500K
Lm/M	550	600	650	750	500	550	600	700
Lm/W	55	60	65	75	50	55	60	70
Size	W 8mm   H 1.6mm   L5,000mm							
Cutting Length	FREE							
Lifespan	50,000 H							
Working Temperature	-20°C - 40°C							
Storage Temperature	-20°C - 45°C							
Warranty	3 years							

\* the given electrical data reflect typical values, each can vary up to 10%.

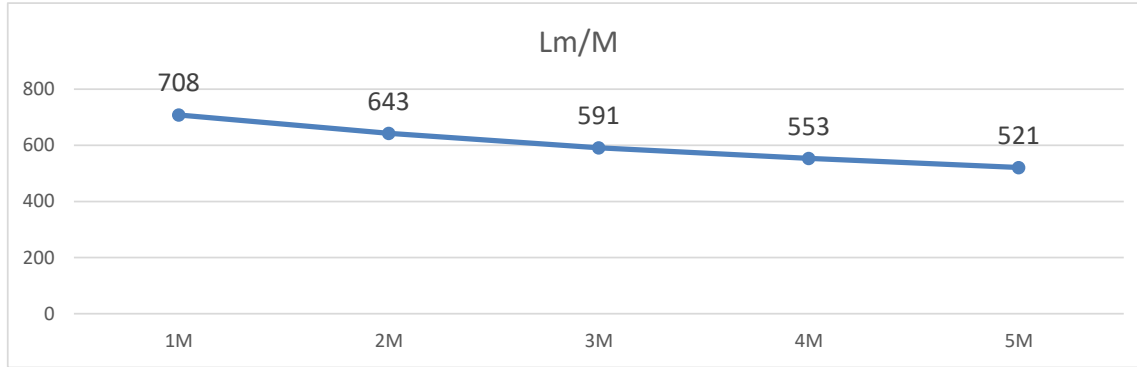
## Temperature Curve



The above curves indicate the temp. changing in glue, & PCB within 30 minutes after powering on, under the ambient temperature of 25 °C.

## Brightness Consistency

The following charts shows the parameters on each meter based on 5M length.

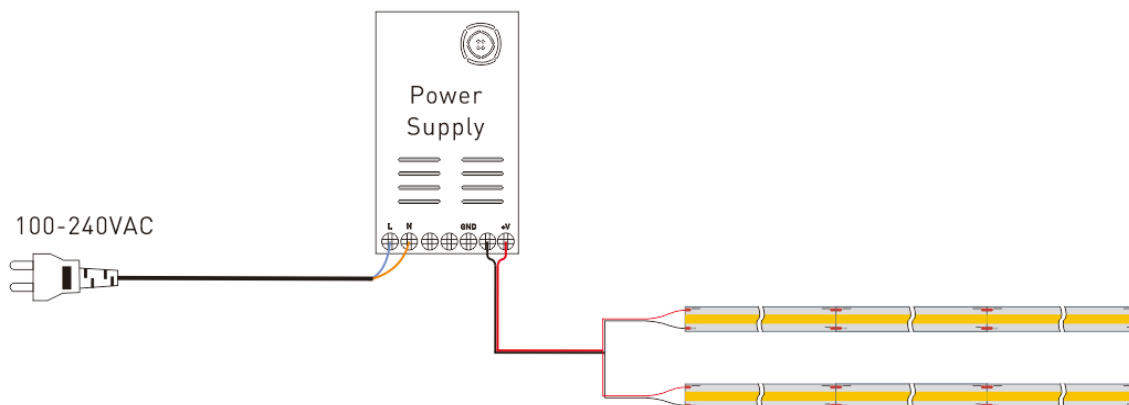


From above chart, please connect 5M at most by one-end power to keep brightness consistency.

## Waterproof Ways

Cross Section	IP Rating	Details
	<del>IP54</del>	PU or Silicone glue on the surface of the led strips.
	IP65	Silicone Tube or heat-shrink tube
	<del>IP67</del>	IP67 Extrusion, Integrated Silicone
	<del>IP68</del>	Solid Integrated Silicone glue, or silicone glue with silicone tube

## Installation Ways



- \* The max running length is 5 meters, for over 5 meters please connect in parallel.
- \* Make sure of the total watts of LED Strip lights is less than 80% of the power supply's max output.
- \* Match the polarities according to the mark ('+' and '-') in the PCB while connecting.

## Applications

- \* Residential lighting, decorative lighting.

