

Manual Instruction

Zigbee 3.0 GU10 RGB+CCT LED Spotlight

Model No.: LM080

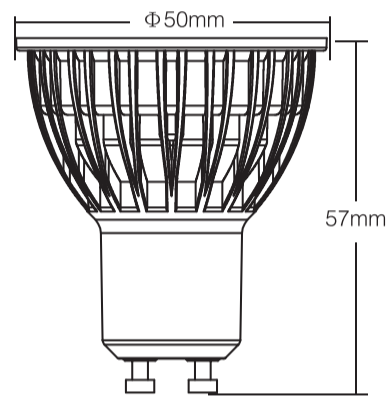
1. Features

- RGB+CCT
16 Millions of colors to choose
- Color temperature
2700-6500K
- Dim brightness / Saturation
- Music Rhythm function
- Work with Philip Hue APP (Philip Hue Bridge is needed)
- Smart phone APP control (Tuya Zigbee gateway is needed)
- Support third party voice control (Tuya Zigbee gateway is needed)

- Biorhythm
- Timing setting / countdown turn on / off LED light
- Sleep / wakeup plan
- Do not disturb mode
- Tap-to-Run & automation
- Device sharing

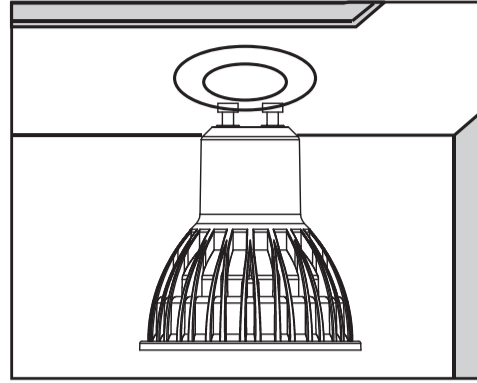
GU10 RGB+CCT LED Spotlight

Model No.: LM080
 Input Voltage: AC100-240V 50/60Hz
 Power: 4W
 Working Temperature: -10~40°C
 Rated Current: 0.07A
 Color Temperature: 2700K-6500K
 Luminous Flux: 300LM-320LM
 Luminous Efficiency: 80LM/W
 CRI: >80
 Lifespan: 50000 hours
 Beam Angle: 30°
 Control Distance: 30m
 Product Weight: 42g



2. Instructions

Put the light bulb in the suitable lighting fixture.



Attention

- When install the lighting fixtures, pls switch off the power to make sure the safety.
- Please check whether the input voltage supply is in accordance with the lighting fixtures.
- Non-professional user cannot dismantle the lighting fixtures directly, otherwise, it may cause fire and electric shock.
- Please do not use lighting fixtures around the mental area and high magnetic field, otherwise, it will badly affect the control distance.

Controller can not use in humid area

Can not connect with dimmable electric circuit, please use remote to dim lighting
 Made in China



Zigbee 3.0 APP Control Instruction

1. Download and install [Tuya Smart] APP or [Smart Life] APP

Search for [Smart Life] in Apple or Google store or scan following QR code to download and install the app.
 Please click "Register" button to create account while using it in the first time, Log in directly if you already had account.



2. Connect to Smartphone

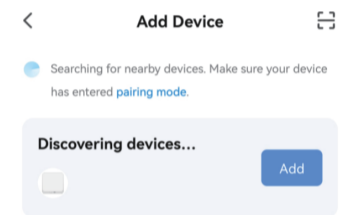
You must link the Tuya Zigbee 3.0 Gateway first to the smartphone, then add the zigbee spotlight to zigbee gateway for smartphone control.

- How to connect zigbee gateway to smartphone. (Note: All Tuya Zigbee 3.0 gateway in market can works on our Zigbee product; Here we use our Zigbee 3.0 gateway for example).

First, Power the zigbee gateway, and long press the "SET" button until the red indicating lamp blinking.



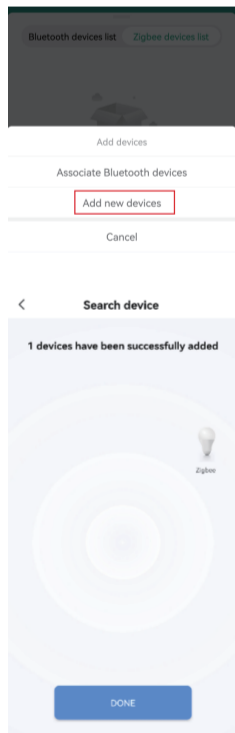
Second, when the red indicating lamp blink, open the Smart Life APP and press "Add Device". It will discover the new device automatically, then Press "Add" to complete the linking.



- Add the Zigbee spotlight to the linked zigbee gateway.

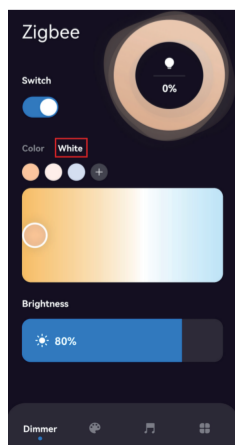
First, power ON-OFF 3 times(ON-OFF-ON-OFF-ON) when the white light blinking 3 times means the spotlight come into smart link mode. (Note: when the spotlight on the smart link mode, please finish the linking within 3 minutes, after 3 minutes the spotlight will stop smart link mode, you need to do the above steps again).

Second, Press "Add new devices" on the APP, it will automatically find the zigbee device, then complete the linking. Added device will be displayed on the homepage after added successfully, then Click device you want to control to enter the control interface.

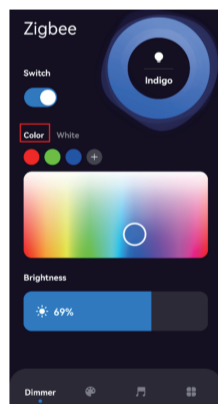


3. APP Control

- When you come into control page, Click [dimmer] on the bottom left corner, then click [white], you can control the white light with color temperature, brightness, and save the white light you like.



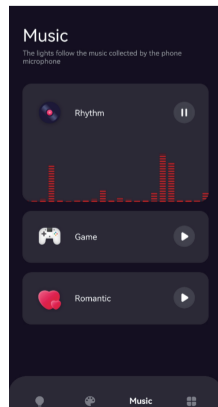
Click [Color], you can control color change, brightness, saturation and save colors you like.



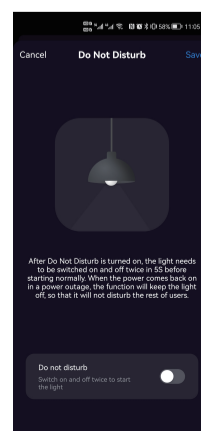
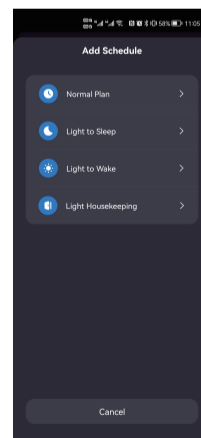
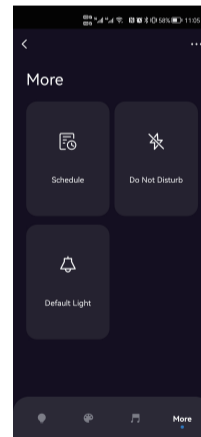
- Click [Scene] on the bottom, you can get into Scene control page.



- Click [Music] on the bottom, you can come into Music rhythm control page.



- Click [More] on the right bottom to get more function setting, including Schedule, Do Not Disturb and Default Light function.

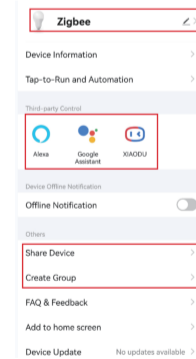


- Device name editing, Third-party Control, Device Sharing and Group Control.

- Click [More] on the top right corner of control page to come into extra function.
- Click icon under third-party control to view detailed description of third-party control
- Click [Share Device] to share the device to family and friends.

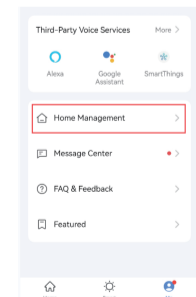
Note: to share device, you need to create a home first, then add members in to this home. Please read 6th instructions for how to make home management.

- Click "Create Group" and follow APP prompt after setting is completed, the devices can be controlled by group.

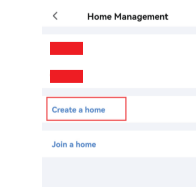


- How to make Home Management for Device Sharing.

- Click [Home Management] on the home page control interface, then click [Home Management] to enter Home management making.



- Click [Create a home] to complete home management, then you can add members on the home, and share device to your home number.



Note: Our Zigbee 3.0 downlight also works on Philips Hue Bridge and Samsung Smartthings gateway for smartphone controlling.