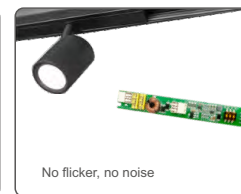


DALI Constant Current LED Driver

- Support DALI-2 dimming mode
- In accordance with DALI standard protocol IEC 62386-102, IEC 62386-207 and in compliance with DALI products from other international incorporation
- PWM digital dimming, standard DALI logarithmic dimming curve
- DALI address will be automatically assigned by DALI master, 1 DALI address
- No input polarity
- DC to DC constant current output, multiple output current settings
- Suitable for STUCCHI standard housings, magnetic installation
- Smooth dimming without flicker, quiet without noise
- Short circuit, overload, no-load and anti-reverse protection
- 5-year warranty



Technical Parameters

| Model | | CXD-21A | CXD-28A |
|-------------|--------------------------|---|------------|
| Output | Output Voltage | 10~40VDC | |
| | Output Current | 150-500mA | 350-700mA |
| | Output Power | 1.5W- 20W | 3.5W- 28W |
| | Current Accuracy | ±5% | |
| | Dimming Range | 0~100%, dimming depth:0.1% | |
| | Channel num | 1 | |
| Input | Dimming mode | DALI | |
| | Dimming Voltage Range | 9.5-22.5V, typical 16V, interface current consumption: 1.8mA | |
| | Input Voltage | 48VDC±1% (No polarity) | |
| | Input Current | Max. 0.47A | Max. 0.65A |
| | Efficiency (Typ) | 93% | 95% |
| | Standby Power | <0.5W | |
| Environment | Working Temperature | -20~50°C | |
| | Storage Temp | -40~80°C | |
| | Working Humidity | 20~95%RH, non-condensing | |
| Protection | Overload | When load voltage exceed its range, the current declines, auto recovers when the load is reduced. | |
| | Short circuit protection | Output short-circuit, LED indicator flash fastly, intermittent shutdown LED output, a long time short-circuit, the system will completely shut down the LED output, need to be re-powered to activation | |
| | Open circuit protection | Output open circuit, LED indicator flash slowly, intermittent shutdown LED output, troubleshooting, LED back to normal lighting | |
| | Reverse connection | Prevent dirver and load damage | |
| Other | Size | L125xW9.5xH7.5mm | |
| | Weight | 11g±2g | |

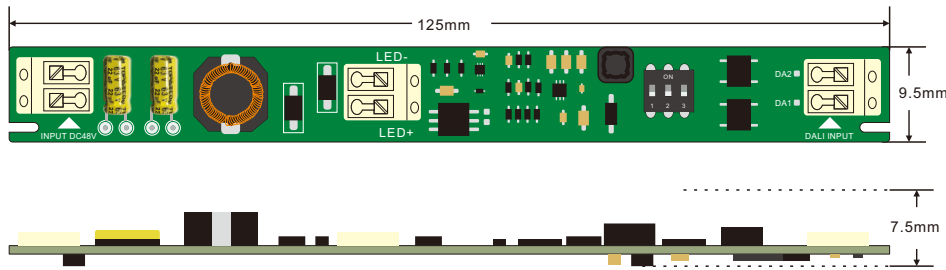
LED Current Selection



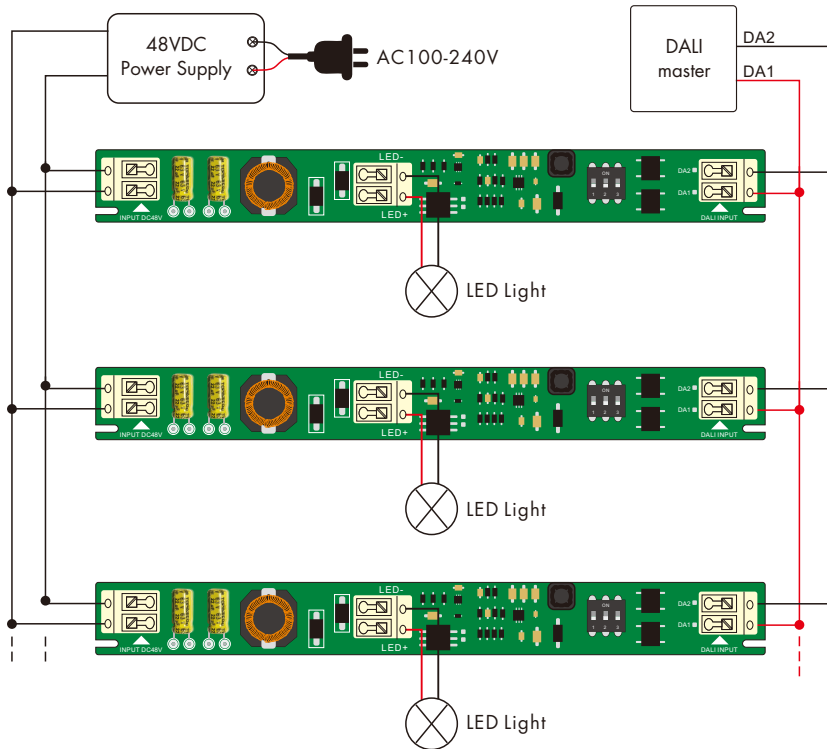
Note: Please select the correct current through the DIP switch on the PCB board when the power is off.

| DIP Switch | | ☐☐☐ | ☐☐☐ | ☐☐☐ | ☐☐☐ | ☐☐☐ | ☐☐☐ | ☐☐☐ | ☐☐☐ | ☐☐☐ | ☐☐☐ | ☐☐☐ |
|------------|----------------|----------|--------|--------|---------|-----------|---------|-----------|--------|-----|-----|-----|
| CXD-21A | Output Current | 150mA | 200mA | 250mA | 300mA | 350mA | 400mA | 450mA | 500mA | | | |
| | Output Voltage | 10-36V | 10-36V | 10-36V | 10-36V | 10-36V | 10-36V | 10-38V | 10-40V | ON | OFF | |
| | Output Power | 1.5-5.4W | 2-7.2W | 2.5-9W | 3-10.8W | 3.5-12.6W | 4-14.4W | 4.5-17.1W | 5-20W | | | |

| DIP Switch | | ☐☐☐ | ☐☐☐ | ☐☐☐ | ☐☐☐ | ☐☐☐ | ☐☐☐ | ☐☐☐ | ☐☐☐ | ☐☐☐ | ☐☐☐ | ☐☐☐ |
|------------|----------------|-----------|---------|-----------|--------|-----------|---------|-----------|--------|-----|-----|-----|
| CXD-28A | Output Current | 350mA | 400mA | 450mA | 500mA | 550mA | 600mA | 650mA | 700mA | | | |
| | Output Voltage | 10-36V | 10-36V | 10-36V | 10-36V | 10-36V | 10-38V | 10-38V | 10-40V | ON | OFF | |
| | Output Power | 3.5-12.6W | 4-14.4W | 4.5-16.2W | 5-18W | 5.5-19.8W | 6-22.8W | 6.5-24.7W | 7-28W | | | |



Wiring Diagram



DALI dimming mode

After installation according to the wiring diagram of DALI dimming application, the driver will automatically switch to the DALI control mode after receiving any DALI command.

Power-on level

When the driver is in DALI dimming mode, the factory default level after each power-on is the brightest. (The recommended setting for the default factory power-on level of the DALI-2 driver is the brightest in the DALI-2 standard.)

The power-on level can be set through the DALI configuration tool or DALI application controller during installation, and can be set to memory or fixed any brightness (such as off, darkest, 30%, 50% etc.).

The dimming curve can be selected by DALI configuration. The default is logarithmic dimming curve.

Malfunctions analysis & troubleshooting

| Malfunctions | Causes | Troubleshooting |
|--------------|---|---|
| No light | 1.No power. 2.Wrong connection or insecure | 1. Check the power. 2. Check the connection. |

Installation note

1. This product must be installed and adjusted by a qualified professional.
2. This product is non-waterproof, When installed outdoors, please ensure it is mounted in a water proof enclosure.
3. Before you power on the product, please make sure all the wiring is correct in case of incorrect connection that may cause a short circuit and damage the components, or trigger an accident.
4. If a fault occurs, please do not attempt to fix the product by yourself. If you have any questions, please contact us in time.