

DAI/DMX 4-Channel Switch

- 4 DALI address, 4 channel 16A dry contact mains rated relay switch output.
- OLED display screen, via button setting two work mode: DALI mode, DMX mode.
- DALI address can be manually assigned and shown in digital display or automatically assigned by DALI master.
- In accordance with DALI standard protocol IEC 62386-101,102, 208 and in compliance with DALI products from other international incorporation.
- Comply with the DMX512 standard protocols.
- RDM function can realize intercommunication between DMX master and decoder.
- Supports manual switching of individual channels.
- High-inrush specification relays (single pole, normally open).
- Zero cross switching function.
- Can operate as:
 - 4 individual channels (4 × 1)
 - 2 sets of 2 channels (2 × 2)
 - 1 sets of 4 channels (1 × 4)



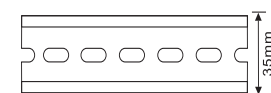
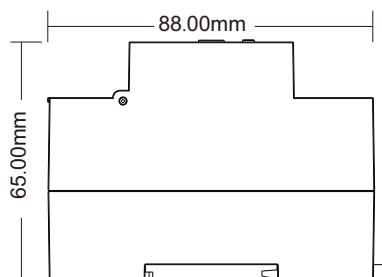
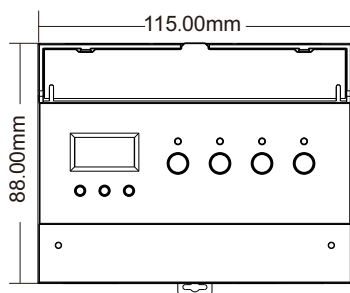
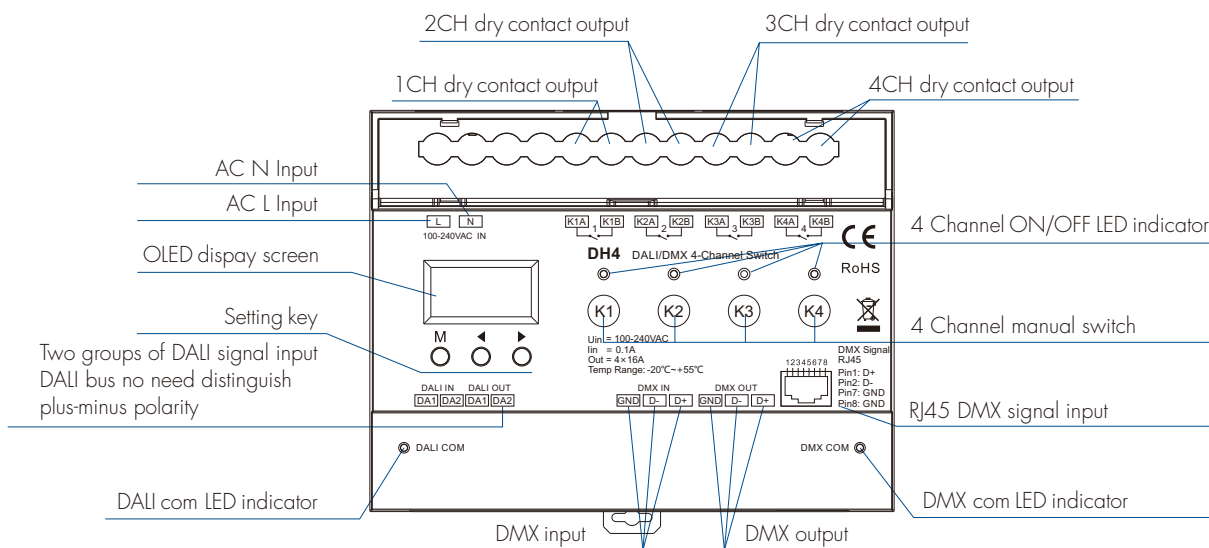
CE RoHS

4CH / dry contact output / 4 DALI address / DMX-RDM / OLED display / Din Rail

Technical Parameters

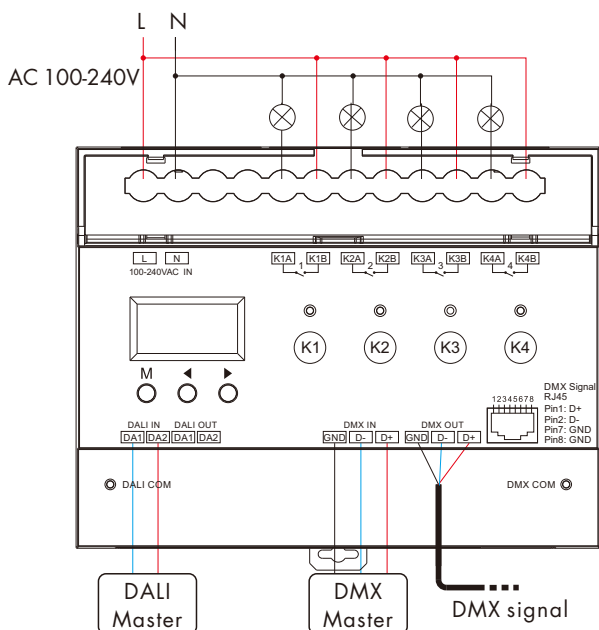
Input and Output	Safety and EMC	Environment
Input voltage: 100-240VAC	EMC standard (EMC): ETSI EN 301 489-1 V2.2.3	Operation temperature: Ta: -20 °C ~ +50 °C
Input current: 0.1A	EMC standard (EMC): ETSI EN 301 489-17 V3.2.4	Case temperature (Max.): Tc: +60 °C
Input signal: DALI+DMX512	Safety standard(LVD): EN 62368-1:2020+A11:2020	IP rating: IP20
No-load standby power consumption: 0.5W@100V, 1.5W@240V	Certification: CE,EMC,IVD	Package
Full load loss power: 4W@100V, 4.5W@240V	Warranty and Protection	Size: W118 x L102 x H71mm
Relay contacts: High inrush (120 A at 20ms), single-pole, single-throw (SPST) relay.	Warranty: 5 years	Gross weight: 0.345kg
Max relay load current: 16A resistive load (incandescent lamp), 8A Capacitive load (LED dimming driver), 8A inductive load (fluorescent lamp)		

Mechanical Structures and Installations



DIN Rail Mounting Size: TS-35/7.5 or TS-35/15

Wiring Diagram



Note: The maximum surge current of the AC output is 120A, the sum of surge current of multiple resistive load or inductive load (LED drivers) should not exceed its maximum value. Otherwise, the product will be overloaded and damaged.

Work Mode

1. System setting

```
System Setting
WorkMode: DALI
ChannelNum: 4
ManualSwitch: Yes
```

- Long press M button for 2s, enter system setting state, prepare to set the working mode, channel number and manual switch enable. Short press the M button to switch three setting items.
- Working mode: Short press ◀ or ▶ button, switch between DALI and DMX working mode.
- Channel number: Short press ◀ or ▶ button, switch the number of 4/2/1 channels, i.e. 4 independent channels (4x1), 2 groups of 2 channels (2x2) or 1 group of 4 channels (1x4).
- Manual switch enable: Short press ◀ or ▶ button, setting to allow (Yes) or disallow (No) the manual switching function, i.e. setting whether the four-channel manual switching buttons are active or not.
- Long press M button for 2s, or timeout 15s, quit system setting.

2. DALI mode

```
DALI Mode
CH1: 01 CH2: 02
CH3: 03 CH4: 04
```

In DALI mode, the DALI address can be set by buttons or DALI master control:

(1) Set DALI Address via buttons

- Short press M button, prepare for set the start DALI address. The four channels can be addressed separately, and the address setting of the four channels can be switched sequentially by short pressing the M button.
- Short press ◀ or ▶ button, change the address value of the current channel (00-63-FF), FF means unassigned DALI address. long press for fast adjustment.
- Long press M button for 2s, or timeout 15s, quit DALI address setting.

(2) DALI address assigned by DALI masters

DALI address can also be assigned by DALI Master controller automatically.

Please refer to user manuals of compatible DALI Masters for specific operations.

3. DMX mode

```
DMX Mode
CH1: 001 CH2: 002
CH3: 003 CH4: 004
```

In DMX mode, the DMX address can be set by buttons or DMX RDM master:

- Short press M button, prepare for set the start DMX address. Only the address of the first channel needs to be set, and the addresses of the other channels will be automatically added 1 in sequence.
- Short press ◀ or ▶ button, change the DMX address value (001-512), long press for fast adjustment.
- Long press M button for 2s, or timeout 15s, quit DMX address setting.
- DMX control: When DMX data value is <50, the relay output is off. When DMX data value is >200, the relay output is on. When DMX data value is between 50 and 200, keep the previous on/off status.

4. Restore factory settings

```
Reset
```

- Long press ◀ and ▶ buttons at the same time for 2 seconds to restore factory settings.
- Factory default parameter: DALI mode, number of channels is 4, manual switch enable.

5. Overheat protection

```
Temp Faults
```

- 110°C triggers temperature protection and shuts off the relay output.
- Normal switching control is resumed at 90°C.