

F3-D(WT)+RC3



3-Button WiFi & IR RGB LED Controller

- WiFi & infrared remote control 3 channels constant voltage RGB LED controller.
- 1.5A per channel, output connects with 5 meters RGB LED strip.
- 3 buttons operation with on/off, mode and color adjustment.
- Tuya smart APP cloud control, support on/off, RGB color, brightness adjust, delay turn on/off light, timer run, scene edit and music play function.
- Voice control, support for Amazon Alexa, Google Assistant, Tmall Genie and Xiaodu voice assistant.
- 4096 levels 0-100% dimming smoothly without any flash.
- Built in 10 dynamic modes, include jump or gradual change style.



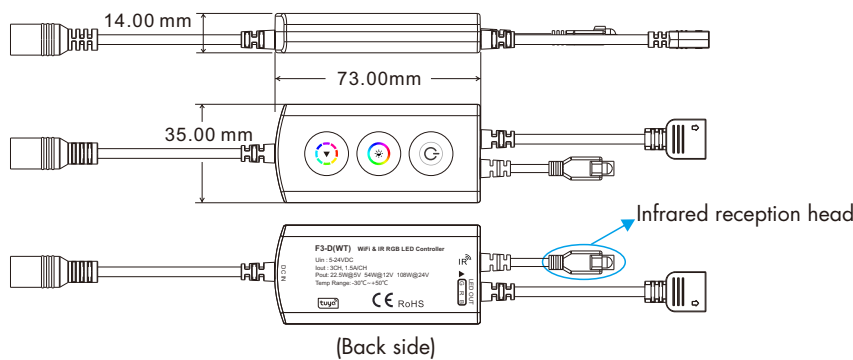
CE RoHS RED

Technical Parameters

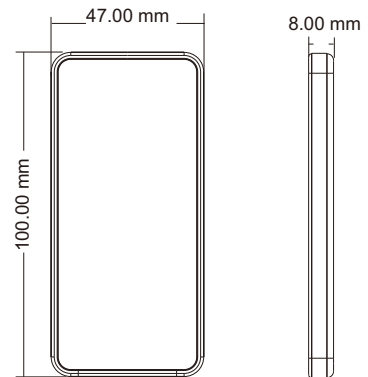
Input and Output		Dimming data		Safety and EMC	
Input voltage	5-24VDC	Input signal	WiFi + IR + 3 button	EMC standard (EMC)	ETSI EN 301 489-1 V2.2.3 ETSI EN 301 489-17 V3.2.4
Output voltage	5-24VDC	Control distance	10m(Barrier-free space)	Safety standard	EN 61348-1:2015+A1:2021 EN 61348-2-13:2014+A1:2017
Output current	3CH, 1.5A/CH	Dimming gray scale	4096 level	Radio Equipment(RED)	ETSI EN 300 328 V2.2.2
Output power	22.5W@5V 54W@12V 108W@24V	Dimming range	0-100%	Certification	CE,EMC,RED
Environment		Dimming curve	Logarithmic	Package	
Operation temperature	Ta: -30°C ~ +50°C	PWM Frequency	2KHz (default)	Size	L110 x W57 x H28mm
Case temperature (Max.)	Tc: +85°C	Warranty	5 years	Gross weight	0.093kg
		Protection	Over heat		

Mechanical Structures and Installations

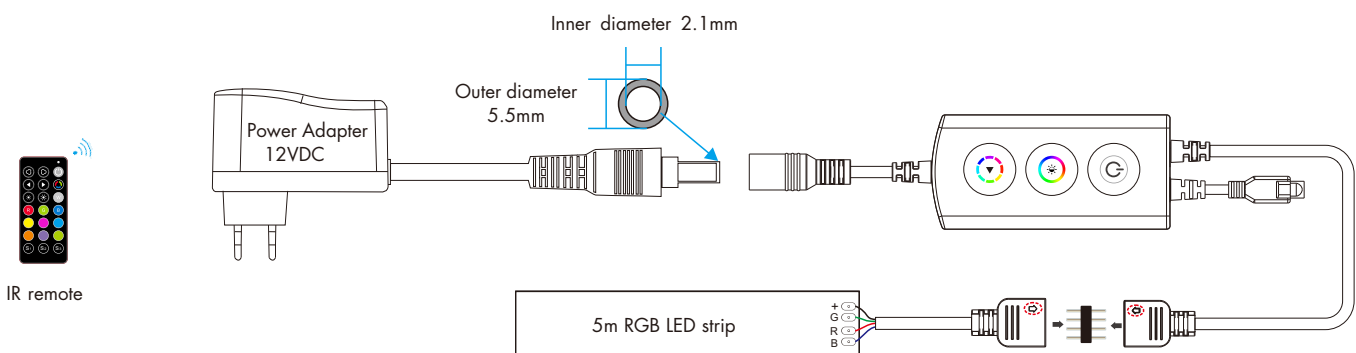
Controller size:



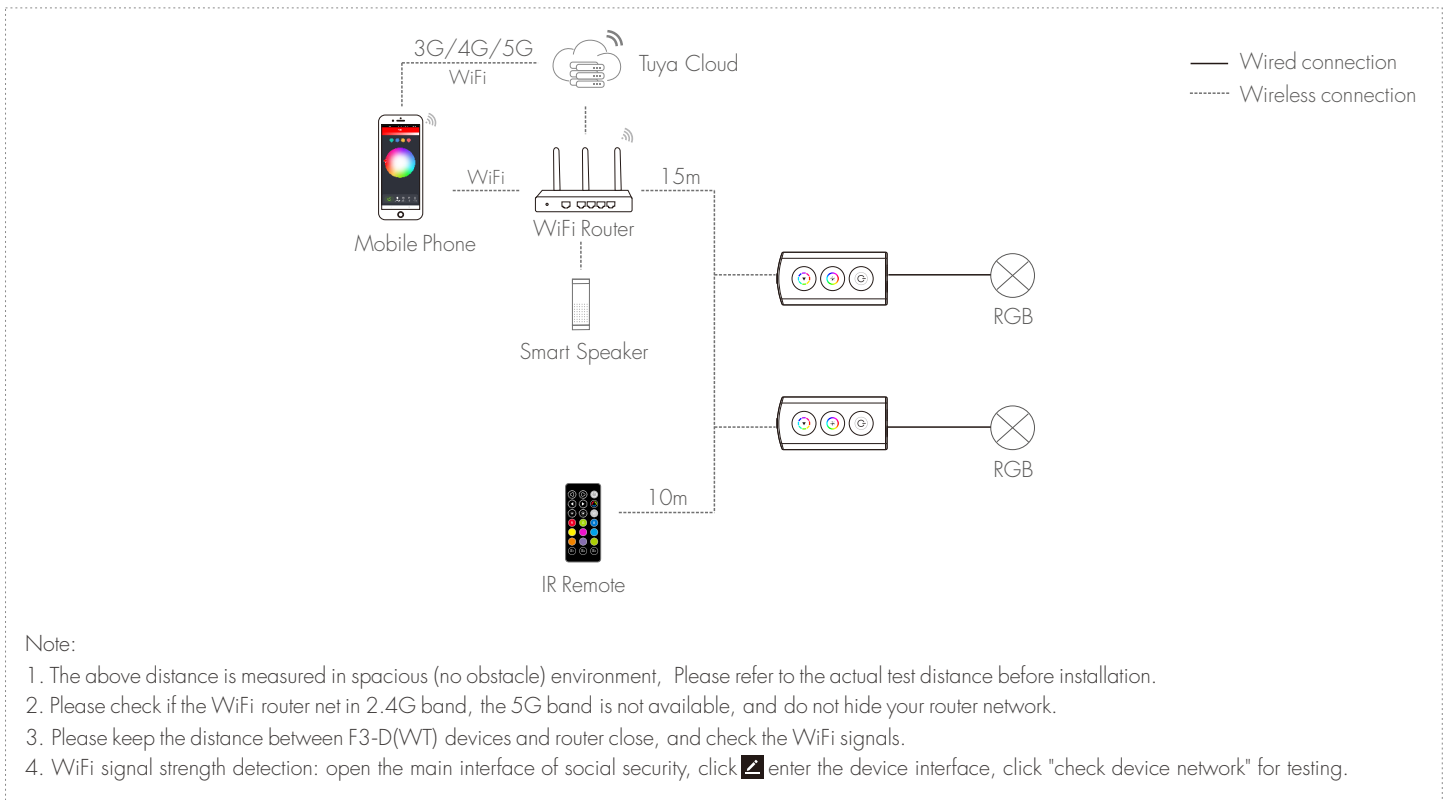
Remote size:



Wiring Diagram



System Wiring



Button Function



: Turn on or off light.



: Short press to change 24 static RGB color, long press 1-6s to adjust 256 levels brightness continuously.



: Short press to change 10 dynamic mode, long press 2s to adjust speed, 10 levels.

Note:

1. Press and hold the and button for 2s, output LED flashes 3 times, the light on/off fade time will change between 3s and 0.5s.
2. Press and hold the , and button for 2s, output LED flashes multiple times, switch between "GRB" (flashes 1 times), "RGB" (flashes 2 times), "BRG" (flashes 3 times) and "BGR" (flashes 4 times) output sequences, default is GRB.

Tuya Smart APP Network Connection

Please download the corresponding tuyu/smart life APP according to your region.

Press and hold and button for 2s:
 clear previous network connection, enter Smart config mode, the output LED will flash 10 times.

Press and hold and button for 5s:
 Clear previous network connection, enter AP config mode, the output LED will flash 5 times.
 If smart config failed, please try AP config.

Repeat power on and off for 5 consecutive times, also clear previous network connection,
 enter Smart config mode, the output LED will flash 10 times.

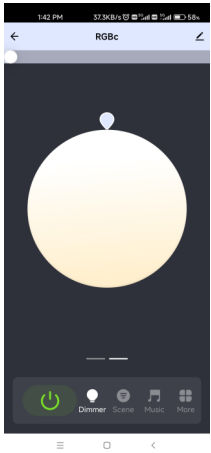
If Tuya Smart APP network connection succeed, the output LED will stop flash,
 and in Tuya Smart APP, you can find RGBc device .



Smart life APP

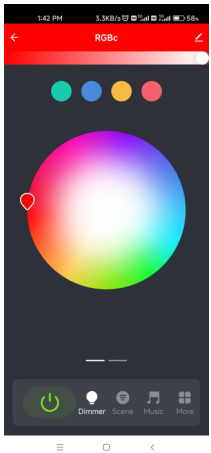


Tuya Smart



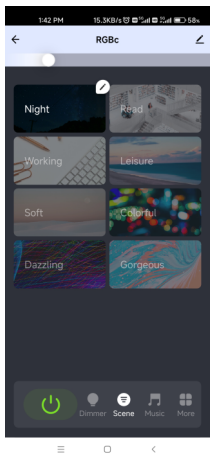
White interface

Touch brightness slide, get RGB mixed white firstly, then to adjust white brightness.



Colour interface

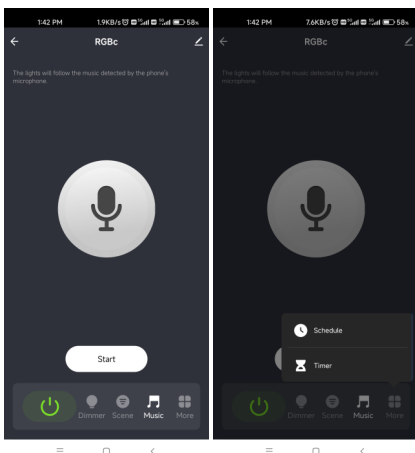
Touch color circle to adjust static RGB color.
Touch brightness slide to adjust color brightness.



Scene interface

The 1-4 scene is static color.
the inner color of these scene can be editable.

The 5-8 scene is dynamic mode,
such as green fade in and fade out, RGB jump, 6 color jump, 6 color smooth.



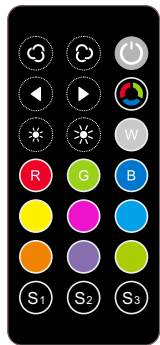
Music, Timer, Schedule

The music play can use smart phone music player or micro-phone as music signal input.

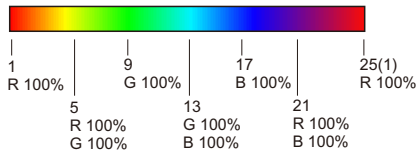
The Schedule key can add multiple timers to turn on or turn off light according to different time periods.

The Timer key can turn on or turn off light in the next 24 hours.

Key Function of IR Remote Controller



- On/Off** : Turn on/off light.
- Mode+** : Short press run the next dynamic mode, long press 2s run mode cycle.
- Mode -** : Short press run the previous dynamic mode, long press 2s run the first mode.
- Color** : Short press get 24 kinds static RGB color, long press for continuous static color adjustment.



- Speed +/-**: For static mode, adjust the color saturation. Short press 11 levels; Long Press 1-6 seconds for 256 consecutive levels of adjustment. For dynamic mode, increase speed, short press 10 levels, long press 2s get the fastest/slowest speed.
- W +/-**: Short press turn on/off white (RGB mix); Long press 1-6s adjust saturation continuously, namely change current static RGB color to mixed white slowly.
- Bright +/-** : short press 10 levels; Long press 1-6 seconds for 256 consecutive levels for adjustment.
- R/G/B** : Short press get red, green or blue color directly, long press 1-6s adjust R/G/B brightness continuously to achieve millions of colors.
- Yellow/Purple/Cyan** : Short press get static yellow, purple, cyan color directly.
- Orange/Grape/Grass green**: Short press get static orange, grape, grass green color directly.
- S1/S2/S3** : Short press recall the scene, long press 2s save the current color into the S1/S2/S3.

Dynamic Mode List

Use the controller's Mode button or the IR remote control's Mode +/- keys to switch between 10 dynamic modes:

No.	Name	No.	Name
1	RGB jump	6	RGB fade in and out
2	RGB smooth	7	Red fade in and out
3	6 color jump	8	Green fade in and out
4	6 color smooth	9	Blue fade in and out
5	Yellow cyan purple smooth	10	White fade in and out

Dimming Curve

