

DALI 0/1-10V Dimmer

- 1 DALI address, 1 channel 0/1-10V output.
- Powered by DALI bus.
- 10A dry contact mains rated relay output.
- 0-10V or 1-10V output selectable.
- In accordance with DALI standard protocol IEC 62386-101, IEC 62386-102, IEC 62386-206 and in compliance with DALI products from other international incorporation.
- Compliant DALI device type 5.

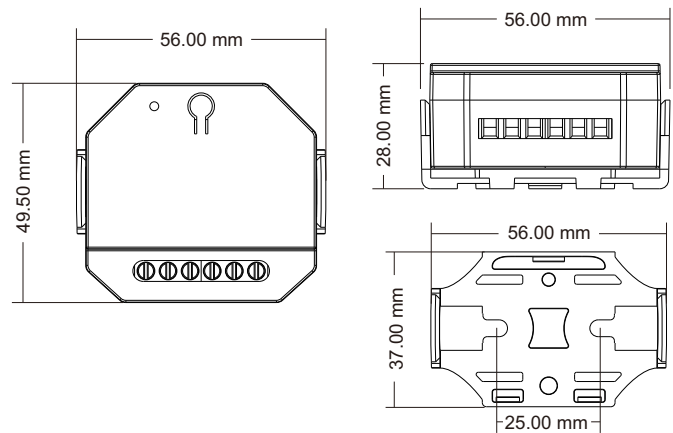
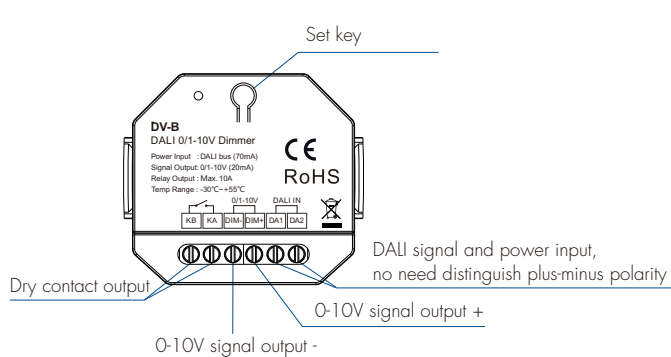


CE RoHS emc LVD

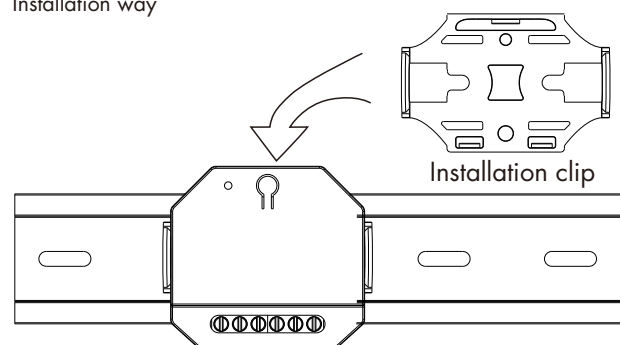
Technical Parameters

Input and Output		Dimming data		Safety and EMC	
Power input	DALI bus	Dimming range	0 -100%	EMC standard (EMC)	EN IEC 55015:2019+A11:2020 EN 61547:2009 EN IEC 61000-3-2:2019+A11:2021 EN 61000-3-3:2013+A11:2019
Output signal	0/1-10V, 20mA	Dimming curve	Linear(default)	Safety standard (LVD)	EN 61347-1:2015+A1:2021 EN 61347-2-13:2014+A1:2017
Max relay load current	10A resistive load 8A incandescent 5A inductive load	<b>Environment</b>		Certification	CE,EMC,LVD
Working current	Max. 70mA@16V	Operation temperature	Ta: -30°C ~ +55°C	<b>Package</b>	
Static current	10mA@16V	Case temperature (Max.)	Tc: +60°C	Size	W60 x L 60 x H40mm
<b>Warranty</b>		IP rating	IP20	Gross weight	0.061kg
Warranty	5 years				

Mechanical Structures and Installations



Installation way

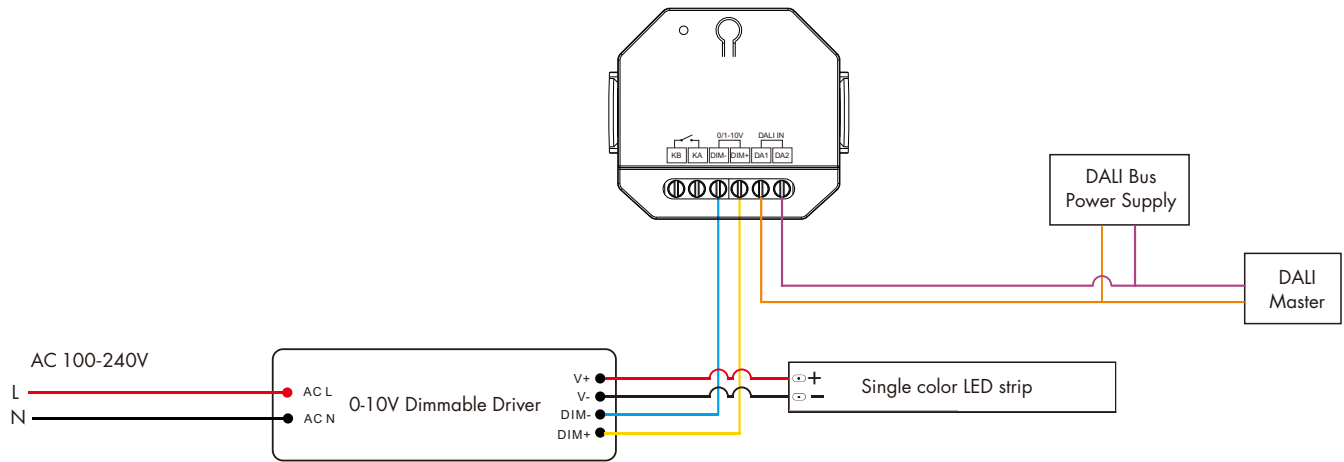


Note:

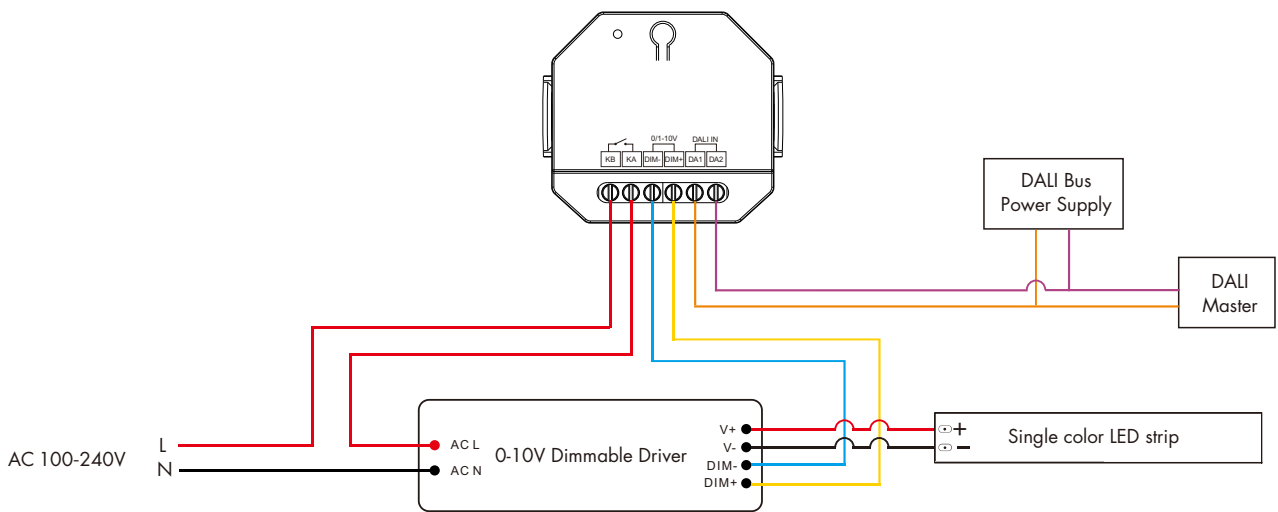
1. DO NOT install with power applied to device.
2. The installation must be installed or removed by a professional electrician.
3. Please keep the device out of the reach of children.
4. Please keep away from water, humid or hot environment.

## Wiring Diagram

- Connect with 0/1-10V dimming driver (no use dry contact output)



- Connect with 0/1-10V dimming driver (use dry contact output)



### Note:

We recommend the number of LED drivers connected to 0/1-10V dimmer does not exceed 20 pieces, The maximum length of the wires from dimmer to LED driver should be no more than 50 meters.

## Operation

### Set 0/1-10V output mode

Within 3s of power-up, press and hold the set button for 5s to switch between 0/1-10V output types:

When LED flashes once, output 0-10V signal.

When LED flashes twice, output 1-10V signal.

### ON/OFF and dimming by set button

After 3s of power-up, short press the set button to turn on/off the relay and 0/1-10V signal.

Press and hold the set button 1-6s to adjust 0/1-10V signal level, namely adjust the light brightness.

### DALI address assigned by DALI masters

DALI address can also be assigned by DALI Master controller automatically.

Please refer to user manuals of compatible DALI Masters for specific operations.