

# DIY-USB Operation Manual



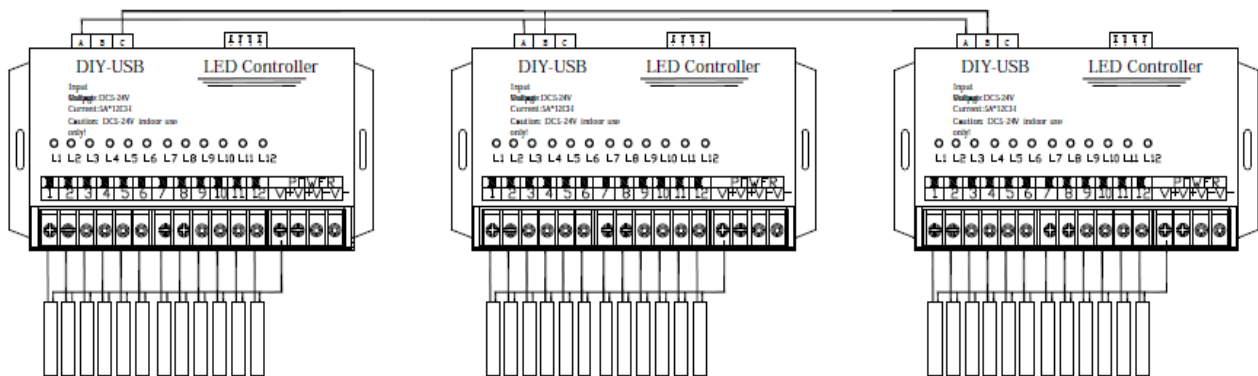
## 一、 Technical Parameters

- Supply voltage: DC5-24V
- Connection mode: Common anode
- Controller Size: 165\*85\*26mm
- Weight: 365g
- Output current: <5A/CH
- Output channels: 12CH

## 二、 DIY-USB Controller Features

- 1、 A single unit can control 12-way single-color LED lights running back and forth, 4-way RGB running.
- 2、 DC5-24V wide voltage work, can control led modules, light bars, light strips, led rope lights, etc.
- 3、 12-channel output, each output current up to 5A
- 4、 Multiple controllers can be cascaded and synchronized, up to 120 channels control, the effect can be modified by yourself, through the USB download, easy and convenient to operate, arbitrary.

## 三、 Controller Wiring



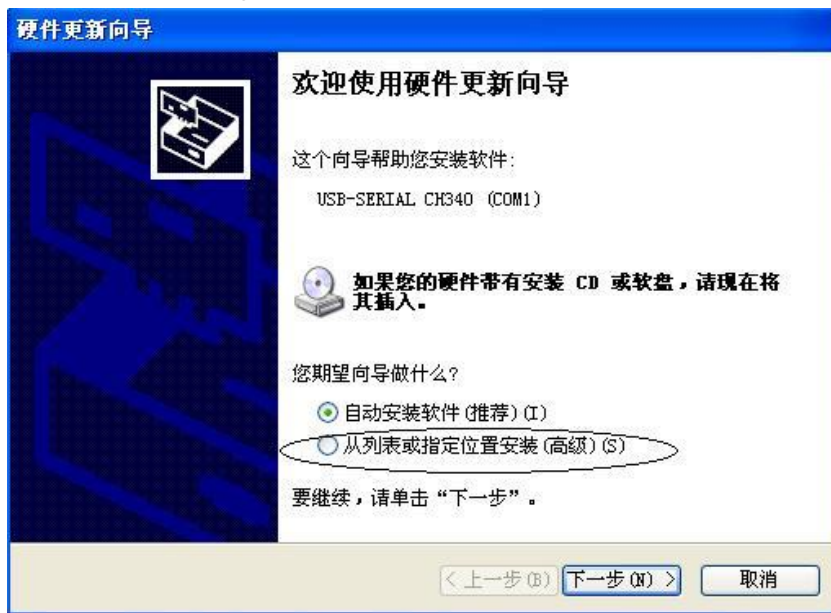
A synchronized cascade of multiple controllers requires that the controller address codes be toggled the order as follows:



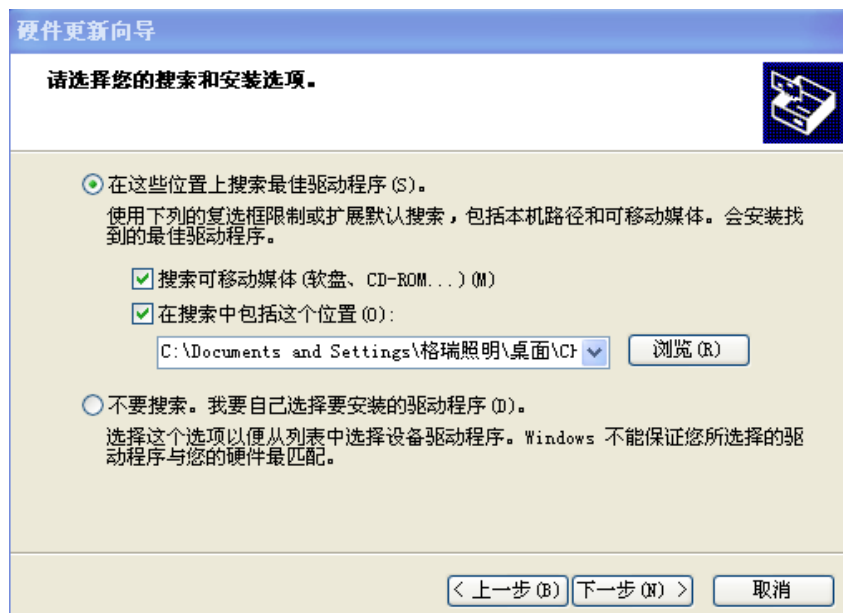
## 四、Effect Creation Method

### A)、Install the controller driver software

1. Use the supporting cable to connect the computer to the controller, this time the computer will pop up a dialog box requesting the installation of the driver as shown in the Figure below:



2. Select: Arrange from List or Specify Location (Advanced)(S)



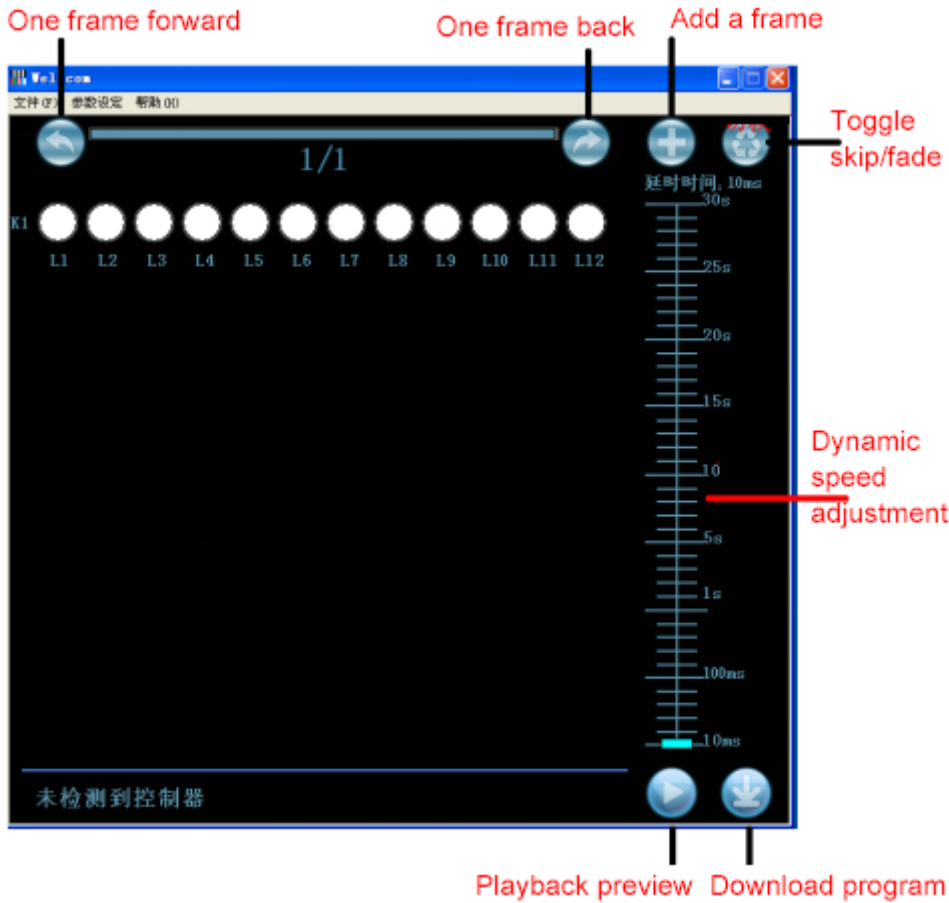
3. Select Browse to find where the software is stored and select the DIY-USB controller driver folder



4. Click Next and the installation is successful.

## B)、Creating dynamic effects

Open the software:



The following chart: L1-L12 indicators on behalf of the controller's 12-channel lights, white dots to indicate that the lights are bright, the mouse click on the dot, the dot becomes black, indicating that the lights are off, K1 on behalf of the first controller, up to 10 controllers can be added (K10)

