



**Triple Row Super Bright Series
3528SMD 1800LEDsLED Strip Light**

Model: FSLQR-24V-3528X1800

- 12V/24V input voltage
- SMD3528, 1m/3.28ft-5m/16.4ft
- Waterproof optional
- Every 16.66mm can be cut
- 20mm width
- 50,000+hours



Description

Triple Row Super Bright Series DC12/24V 3528SMD 1800LEDs Flexible LED Strip Lights, Industrial Lighting, 3.28~16.4ft Per Reel By Sale. You can cut the strip every few inches, allowing you to freely design your project without worrying about space requirements. The back of the strip is fitted with a strong 3M tape, allowing you to peel and stick lights to many different surfaces.

12 volt and 24 volt super bright triple row 3528 led tape light.

360LEDs/m high density per meter, three rows of SMD3528 leds.

Warm white 3000K, natural white 4000K, daylight 6000K, cool white 7000K, red, green, yellow, blue
IP20/IP65 for indoor lighting, IP68 for outdoor lighting.

20mm pcb width.

1m/3.28ft, 2m/6.56ft, 5m/16.4ft per roll.

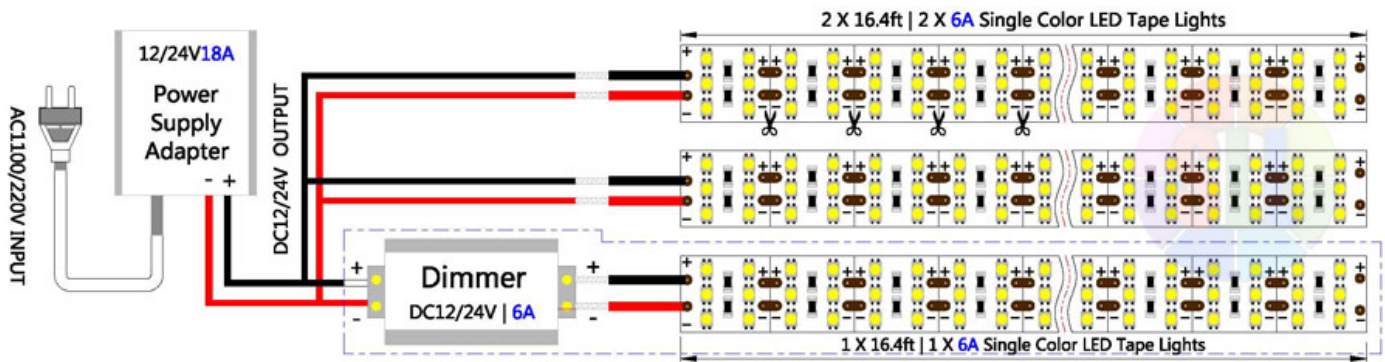
Product Specific Specifications

LED Strip Type:	Triple Row Super Bright 3528 LED Strip
LED Chip:	SMD3528
Working Temperature:	-4°F (-20°C) ~ 122°F (50°C)
Storage Temperature:	-40°F (-40°C) ~ 176°F (80°C)
Light Color :	3000K, 4000K, 6000K, 7000K, R/G/B/Y
Product Size:	20mm/0.78in width, 1m/3.28ft~5m/16.4ft roll
LED Quantity :	360 LEDs per meter
Lifespan:	50,000+hours
IP Rating:	Non-waterproof IP20, Splash-resistance IP65, Outdoor waterproof IP68
Input Voltage(V):	12V/24V DC
Working Power:	6A 144W /16.4ft Max
Lumen:	14400lm/16.4ft
CRI:	90
Beam Pattern:	120 degree
Cut Unit:	6 LEDs

*CCT may be +/-100K but always ordered from the same bin and will present no noticeable differences perceived by the human eye.

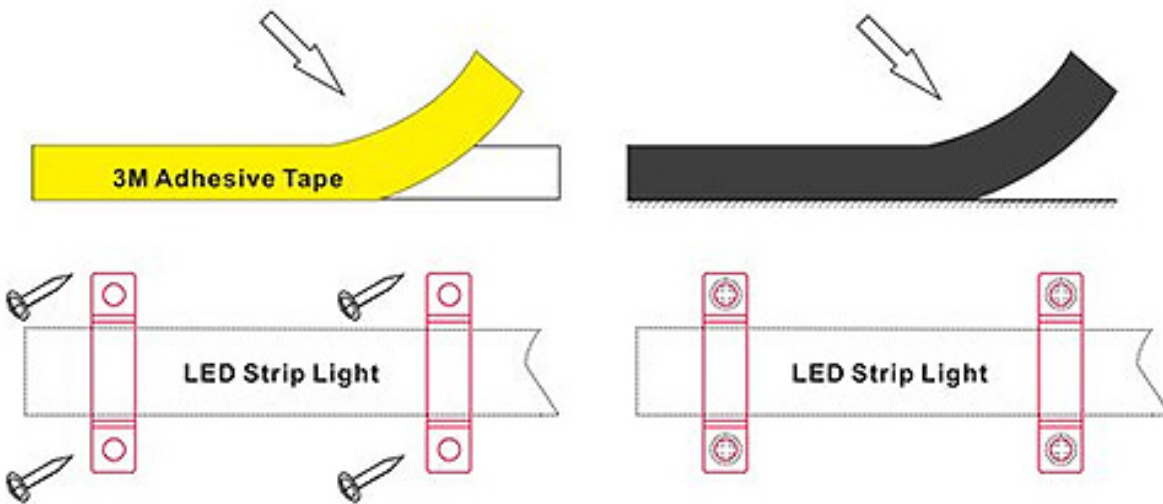
LED Strip Wiring

1. Identify the positive and negative terminals; 2. Connect the power supply: Use the 12V/24V adapter to connect the positive and negative terminals of the light strip; 3. Connect the controller: Connect the controller to the power supply and the light strip; 4. Test: Turn on the power to check whether the light strip works properly.



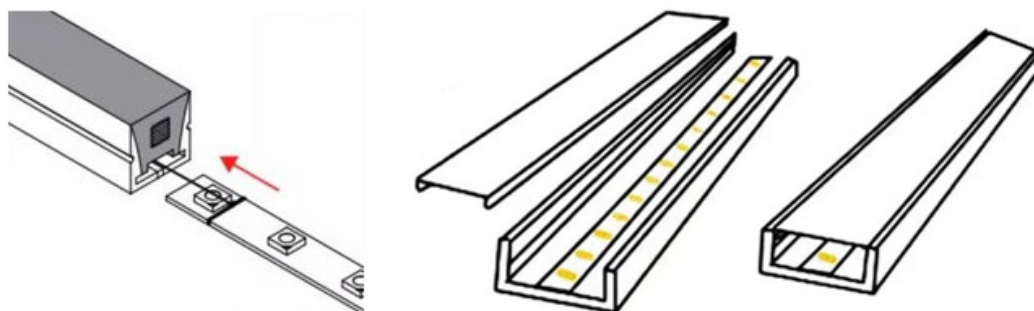
LED Strip Installation

We provide a variety of LED strip light mounting methods to meet the needs of different users and use scenarios. IP20, IP65 strip light through the adhesive backing on the object, IP67 and IP68 outdoor strip light we provide adhesive backing and bracket fastening two ways.



Optical accessories

To improve lighting effect and the appearance of light strip installation, you can use two supplementary materials or accessories, LED neon covers or aluminum profiles. The light scattered by the silicone or PC material will become even and soft or even spotless.



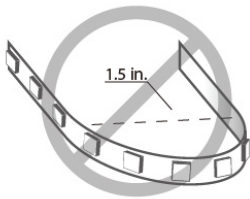
Precautions

- Do not bend led strip light to a diameter less than 1.5 inches;
- Do not fold or crease led strip light; Do not bend led strip light on a horizontal plane;
- Do not put excessive pressure on surface of strip light (e.g. glass/acrylic panes, etc);
- Do not cover strip light with any material except neon tube, aluminum profile, etc. optical accessories;
- Do not cut off or modify the strip light or attached AC cord that provides power to the strip light;
- Do not power strip light while attached to spool or tightly coiled;
- Please don't connect low voltage led strips directly to AC110 or AC220V line voltage, otherwise it will burn out the LEDs.

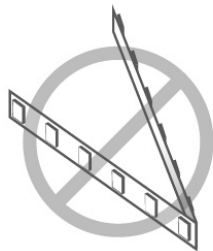
Application Scenes

LED strip lights is a very flexible and versatile lighting solution for:

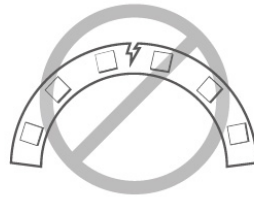
1. Home Lighting - LED strip can be installed in all corners of the home, such as under cabinets, staircase edges, TV backdrops, etc., to provide a soft background light and increase the coziness of your home.
2. Commercial Lighting - In shopping malls, hotels, restaurants and other commercial places, LED light strips can be used to highlight the display of goods and create a comfortable shopping and dining environment.
3. Landscape Lighting - LED strips can be used for outlining architectural silhouettes, lighting gardens and landscapes, as well as beautifying city streets to enhance the beauty of the urban nightscape.
4. Automotive decorative lighting - LED strips are also widely used in the automotive field, such as interior and exterior decorative lights, dashboard backlighting, etc., providing safer and personalized lighting.
5. Festive decoration - During festivals, LED strips can be used as decorative lights to add festive atmosphere.



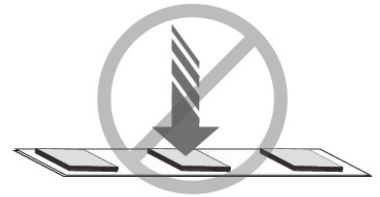
Do not bend LED strip light to a diameter less than 1.5 inches.



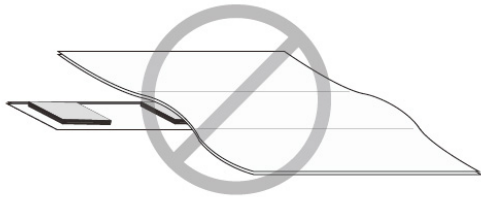
Do not fold or crease LED strip light.



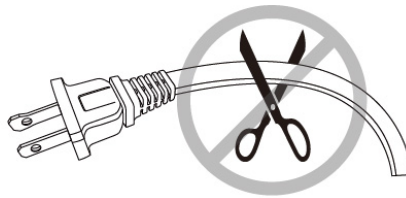
Do not bend LED strip light on a horizontal plane.



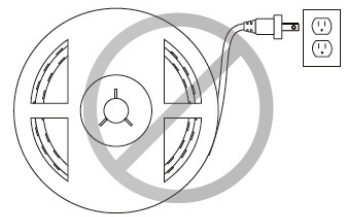
Do not put excessive pressure on surface of strip light (e.g. glass/acrylic panes etc.).



Do not cover strip light with any materials.



Do not cut off or modify the strip light or attached AC cord that provides power to the strip light.



Do not power strip light while attached to spool or tightly coiled.