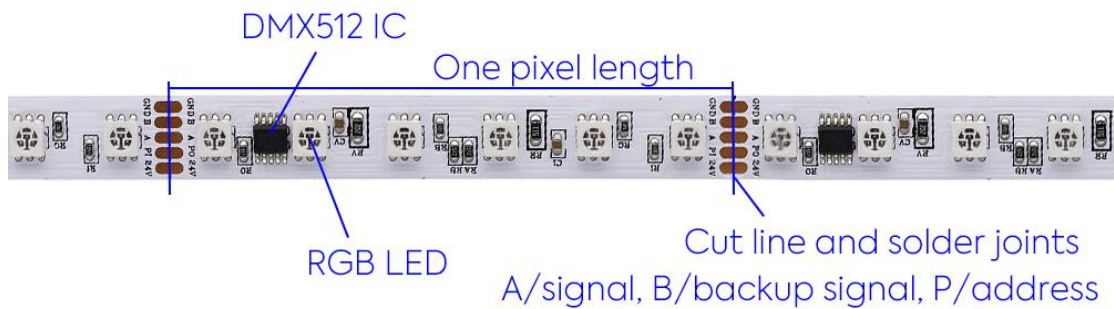


## SuperLightingLED DMX LED Strip Products

[DMX led strip](#) refers to those addressable led strip lights directly controlled by DMX signals, using UCS512 or other DMX IC chips, compatible with general DMX 512 protocol. DMX led strip lights do not require any additional DMX decoder, they are directly connected to a DMX controller for detailed lighting control. DMX led tape supports compatibility with a variety of [DMX512 controllers](#), including hardware DMX master consoles, software control systems and easy to use mobile phone APP control and wireless control of [smart DMX controllers](#) or wall panels.

The IC chip used in led tape light DMX is compatible with a wide range of LED color modes, can support single white light, dual color temperature light (warm white and cool white), RGB full color light, RGBW 4-in-1 light (red, green, blue, white) and RGBCCT (red, green, blue, cool white, warm white) 5-in-1 light. This diverse LED light compatibility allows DMX controlled led strip lights to meet different lighting needs, providing greater design flexibility and creative space. Whether you need white light for a warm atmosphere or dynamic color effects for stage, advertising and decoration, DMX led strips provide the ideal strip lighting solution.



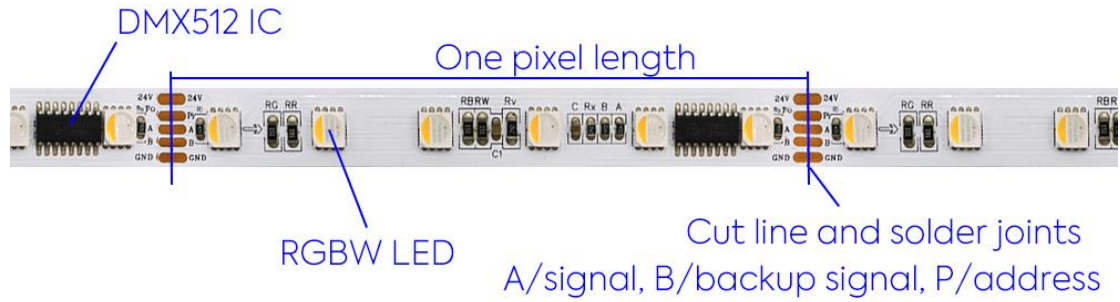
### DMX RGB

Model	PCB Width	Voltage	LED Type	LED Density	IC Pixel	IC Type	Cut
DCFLS-DMX512-180 W12	12mm	24V	5050	36/m	6/m	UCS512C4, TM512AC	6LEDs
DCFLS-DMX512-240 X	10mm	24V	5050	48/m	8/m	UCS512H4, UCS512C4, TM512AC, TM512AD	6LEDs
DCFLS-DMX512-12V X300W10	10mm	12V	5050	60/m	20/m	UCS512H4L	3LEDs
DCFLS-DMX512/UCS 1903-12VX300W10	12mm	12V	5050	60/m	20/m	UCS512C4	3LEDs

# SUPERLIGHTINGLED

Model	PCB Width	Voltage	LED Type	LED Density	IC Pixel	IC Type	Cut
DCFLS-DMX512-300 W12	12mm, 10mm	24V	5050	60/m	10/m	UCS512H4, UCS512C4, TM512AC, TM512AD	6LEDS
48V-DMXRGBW-UCS 512-5050X60	12mm	48V	5050	60/m	6/m	UCS512H4	10LEDS
DCFLS-DMX512-180 W12	12mm	24V	5050	72/m	12/m	UCS512H4, TM512AD	6LEDS
DCFLS-DMX512-180 W12	12mm	24V	5050	84/m	12/m	UCS512H4, TM512AD	7LEDS
DMXRGB-UCS512-28 35X96W8	8mm	24V	2835	96/m	8/m	UCS512H6L	12LEDS
DCFLS-DMX512-180 W12	12mm	24V	5050	96/m	16/m	UCS512H4, TM512AD	6LEDS
	12mm	24V	5050	96/m	8/m	UCS512H6L, TM512CD	12LEDS
DMX512-5050RGB-2 4V-120	15mm double row	24V	5050	120/m	20/m	UCS512C4, TM512AC	6LEDS
	20mm double row	24V	5050	120/m	10/m	UCS512C4, TM512AC	12LEDS
DMXRGB-UCS512-28 35X96W8	10mm	24V	2835	120/m	10/m	UCS512H6L	12LEDS
	10mm	24V	2835	120/m	20/m	UCS512H4	6LEDS
DMXRGB-SM18512S K-5050X120	20mm	12V	5050	120/m	40/m	SM18512SK	3LEDS
DCFLS-360DS-DMX5 12	20mm foldable	24V	2835	240/m	10/m	Hi512DS	24LEDS
	20mm foldable	24V	2835	240/m	20/m	UCS512H6L	12LEDS

# SUPERLIGHTINGLED



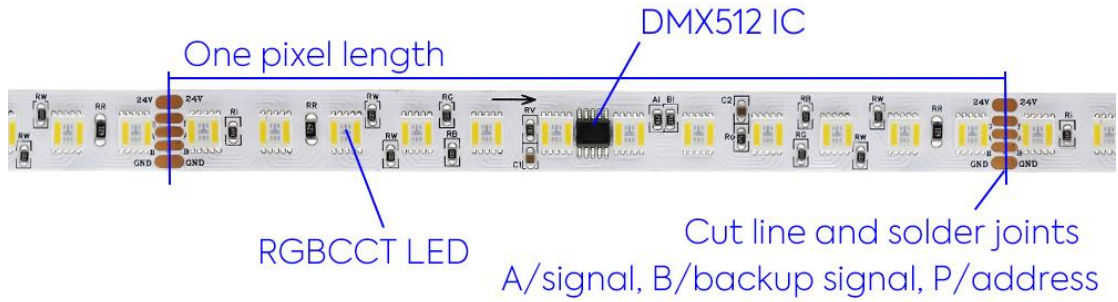
## DMX RGBW

Model	PCB Width	Voltage	LED Type	LED Density	IC Pixel	IC Type	Cut
DMX512-5050RGBW -24V-36	10mm	24V	5050	36/m	6/m	UCS512C4, TM512AC	6LEDs
DMX512-5050RGBW -24V-48	10mm	24V	5050	48/m	8/m	UCS512C4, TM512AC	6LEDs
DCFLS-DMX512-12V X300-RGBW, DCFLS-DMX512-RGB W-300W10, DCFLS-DMX512-24V X300-RGBW	12mm	12V	5050	60/m	20/m	UCS512H4LB, UCS512C4	3LEDs
DCFLS-DMX512-RGB W-300W10, DCFLS-DMX512-24V X300-RGBW	12mm	24V	5050	60/m	10/m	UCS512H4LB, UCS512C4	6LEDs
DCFLS-DMX512-RGB W-300W15	15mm	24V	5050	60/m	10/m	UCS512C3	6LEDs
48V-DMXRGBW-UCS 512-5050X60	12mm	48V	5050	60/m	6/m	UCS512H4LB	10LEDs
DMX512-5050RGBW -24V-72	10mm/12mm	24V	5050	72/m	12/m	UCS512H4, TM512AD	6LEDs

# SUPERLIGHTINGLED

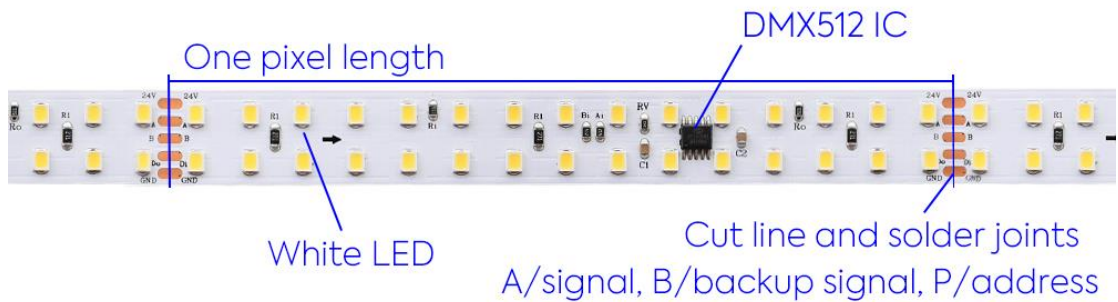
Model	PCB Width	Voltage	LED Type	LED Density	IC Pixel	IC Type	Cut
/	12mm	36V	5050	80/m	8/m	UCS512D	10LEDs
DMX512-5050RGBW-24V-84	10mm	24V	5050	84/m	12/m	UCS512H4LB, TM512AD	7LEDS
	12mm	24V	5050	84/m	14/m	UCS512H4LB, TM512AD	6LEDS
/	12mm	24V	5050	96/m	16/m	UCS512H4LB, TM512AD	6LEDS
/	12mm	24V	5050	96/m	8/m	UCS512H6L, TM512AD	12LEDS
DMXRGBW-UCS512-4040X100	12mm	24V	4040	96/m	16/m	UCS512H4LB	6LEDS
48V-DMXRGBW-UCS512-5050X60	12mm	48V	4040	96/m	8/m	UCS512H6L	12LEDS
/	12mm	24V	5050	100/m	10/m	UCS512H4LB, TM512AD	10LEDS
DMXRGBW-UCS512-4040X100	12mm	24V	4040	100/m	10/m	UCS512H4LB	10LEDS
DMXRGB-SM18512SK-5050X120	20mm	12V	5050	120/m	40/m	TM512AC	3LEDS
DMX512-RGBW-DR600W15	15mm double row	24V	5050	120/m	20/m	UCS512C4	6LEDS
DMX512-5050RGBW-24V-120	20mm double row	24V	5050	120/m	10/m	UCS512C4	12LEDS
DMXRGB+W-UCS512H5L-DR	15mm double row	24V	5050+2835, RGB+W	120/m	8/m	UCS512H6L	22LEDS
	15mm double row	24V	5050+2835, RGB+W	240/m	10/m	UCS512H6L	30LEDS

# SUPERLIGHTINGLED



## DMX RGB CCT (DMX RGBWW)

Model	PCB Width	Voltage	LED Type	LED Density	IC Pixel	IC Type	Cut
DCFLS-DMX-RGBC CT-60W12	12mm	24V	5050	60/m	10/m	UCS512G6, Hi512D5	6LEDs
	12mm	24V	5050	96/m	8/m	UCS512H4LB	12LEDs

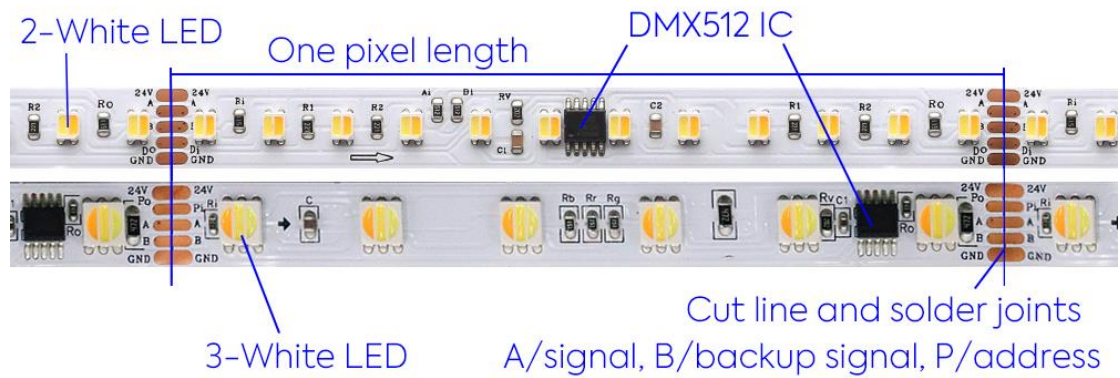


## DMX White

Model	PCB Width	Voltage	LED Type	LED Density	IC Pixel	IC Type	Cut
DMX-WHITE-2835	8mm	24V	2835	96/m	8/m	UCS512B3 single signal	12LEDs
	8mm	24V	2835	120/m	10/m	UCS512B3 single signal, UCS512H4LB dual signal	12LEDs
	10mm	24V	2835	120/m	10/m	UCS512H4LB, TM512AD	12LEDs

# SUPERLIGHTINGLED

Model	PCB Width	Voltage	LED Type	LED Density	IC Pixel	IC Type	Cut
DMX-WHITE-2835	10mm	24V	2835	120/m	8/m	UCS512B3 single signal, UCS512H4LB/TM512AD dual signal	15LEDs
/	12mm	36V	2835	120/m	8/m	UCS512H4LB	15LEDs
/	12mm	48V	2835	120/m	6/m	UCS512H4LB	20LEDs
DMX512-2835-White-24V	15mm double row	24V	2835	240/m	8/m	UCS512H6L, TM512AD	30LEDs

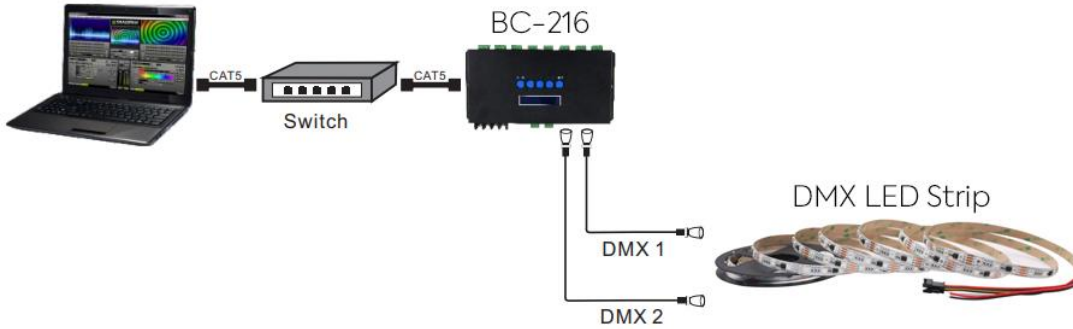


## DMX CCT

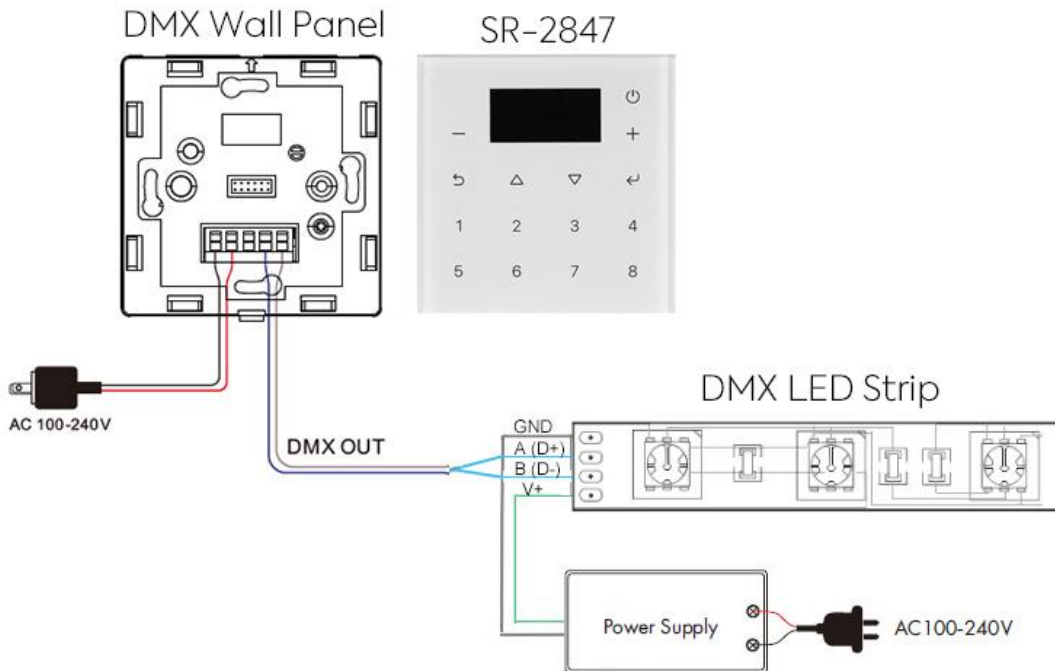
Model	PCB Width	Voltage	LED Type	LED Density	IC Pixel	IC Type	Cut
UCS1903B-60-5050 WWW	10mm	24V	5050 3-white	60/m	10/m	UCS512H4LB, TM512AD	6LEDs
DCFLS-DMX512-CCT/WWA-600W10	10mm	24V	3527 2-white	120/m	10/m	UCS512H4LB	12LEDs

## DMX LED Control

### 1. Use a professional DMX controller or DMX console:

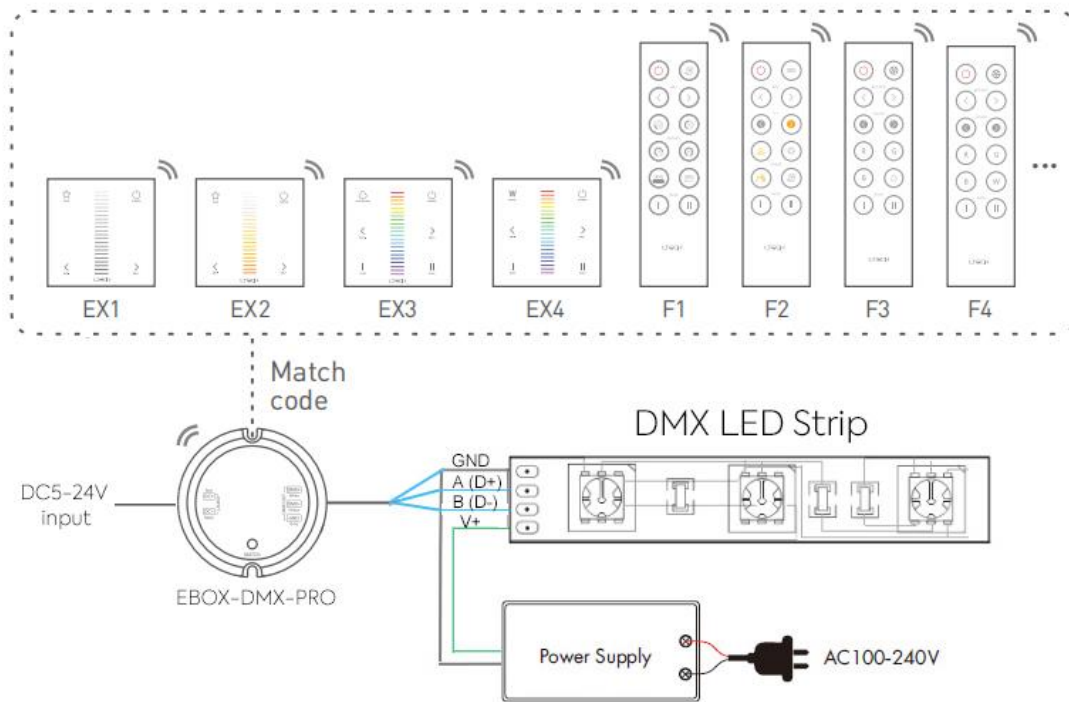


### 2. Use a hardwired DMX wall-mounted panel:



# SUPERLIGHTINGLED

## 3. Use a wireless DMX module:



## 4. Use a smart DMX controller:

