

# DMX512 0-10V/PWM Dimmer

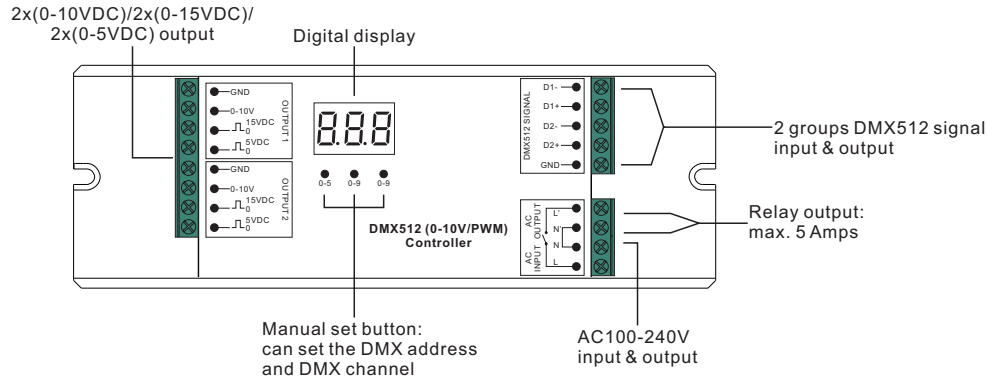
70060016

## Wiring Diagram



**Important:** Read All Instructions Prior to Installation

### Function introduction



### Product Data

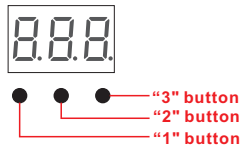
Input Voltage	Input Current	Output Power	Output Current	Size(LxWxH)
100-240VAC	60mA max	2x(0-5VDC)/2x(0-10VDC)/2x(0-15VDC)	20mA max	170x59x29mm

- Receives DMX512 signal, 2 channels 0-5V/0-10V/0-15V signal output
- Compatible with different DMX512 controls
- To dim and switch Single color LED lighting.
- Waterproof grade: IP20

### Safety & Warnings

- DO NOT install with power applied to device.
- DO NOT expose the device to moisture.

### Operation



#### Set DMX address

Press and hold down 1st button for 2 seconds, digital display flashes to set the required DMX address, then press and hold down any button for >2 seconds to confirm.

Through buttons to set desired DMX512 address, button 1 is to set "hundreds" position, 2 is to set "tens" position, 3 is to set "unit" position.



#### Choose DMX Channel

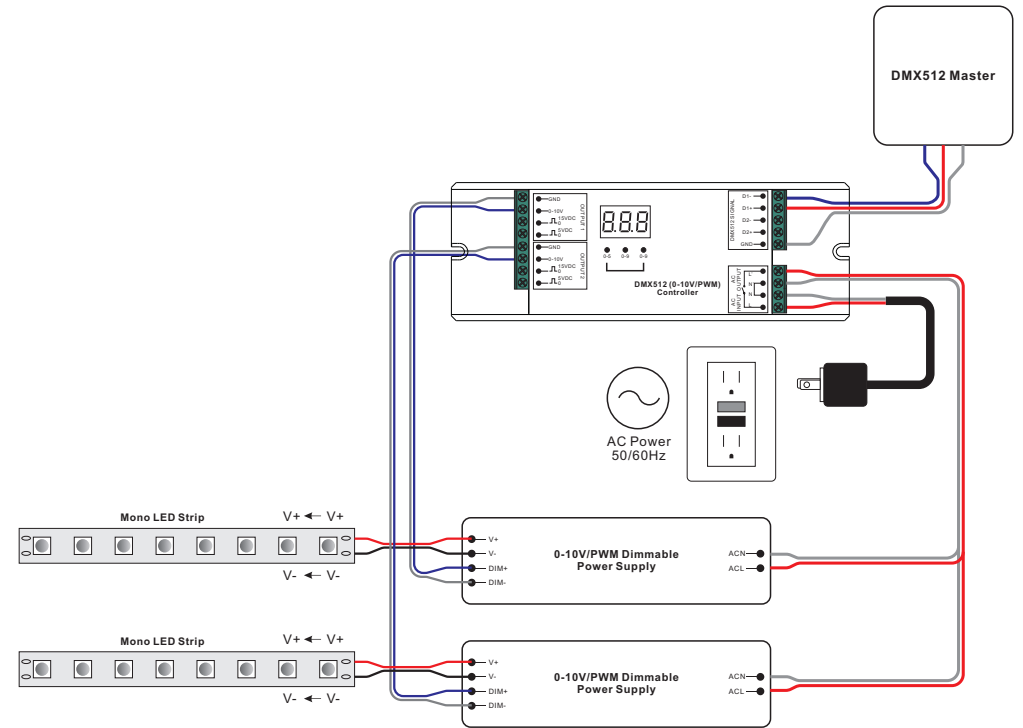
Press and hold down 2nd and 3rd buttons simultaneously for 2 seconds, cH digital display flashes, then click 1st button to choose 1/2, 1 means total 1 channel, 2 means total 2 channels. Press and hold down any button for >2 seconds to confirm the 1 or 2 channels. The factory default is 2 channels.

#### NOTE:

For example, when we set address to 001.

When select 1cH, all two output channels will be the same address 001 and controlled simultaneously.

When select 2cH, the two output channels will be address 001, 002 respectively and controlled separately.



### Product Dimension

