

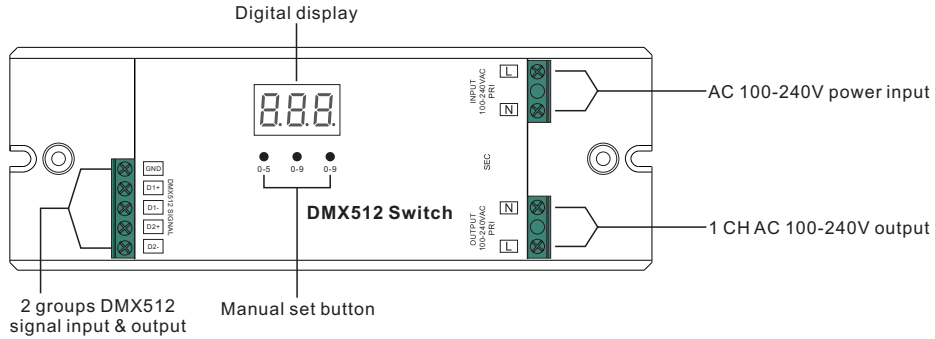
DMX512 Switch

09.273BE.04755



Important: Read All Instructions Prior to Installation

Function introduction



Product Data

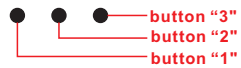
Input Voltage	Output Current	Output Power	Remarks	Size(LxWxH)
100-240VAC	5A	500W	Constant voltage	170x59x29mm

- Standard DMX512 compliant control interface, enable to set the DMX512 address freely. And show address Via digital numeric display.
- One channel output. AC input and AC output , only one DMX512 address.
- The DMX512 master can only do Switch ON/OFF command to the switch decoder
- Waterproof grade:IP20

Safety & Warnings

- DO NOT install with power applied to device.
- DO NOT expose the device to moisture.

Operation



1 DMX address for 1 output channel can be set via buttons:

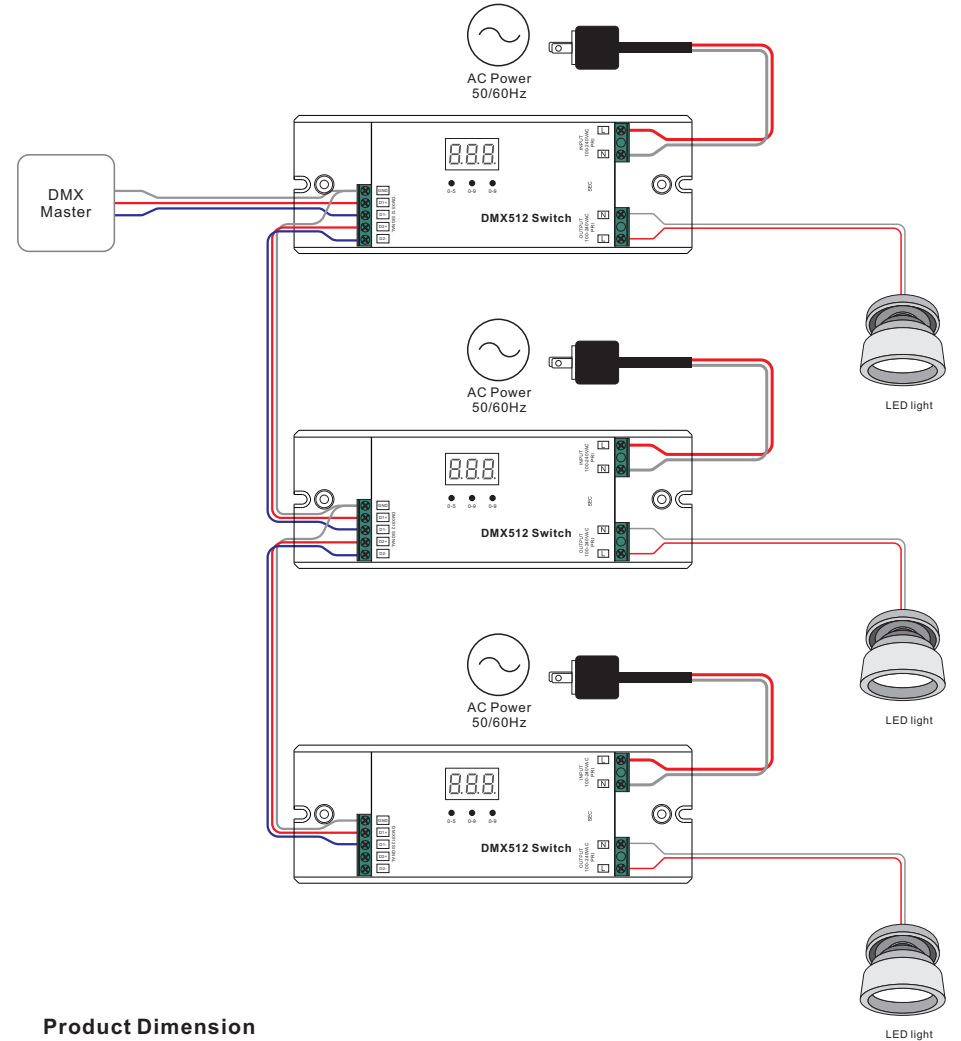
- 1.1. Press and hold down **button "1"** until numeric digital display flashes, then release the button.
- 1.2. Click any of the 3 buttons once to select a digit, click again to change the digit until the desired DMX address appears. Click **button "1"** to set "hundreds" position, **button "2"** to set "tens" position and **button "3"** to set "units" position.

1.3. Then press and hold down any of the 3 buttons until the numeric digital display stops flashing to confirm the setting.

Note: this device occupies 1 DMX address for 1 output channel, for example, if the address is set as 001, then channel 1 will be address 001.

The DMX master controllers can only do switching ON/OFF operation to this device.

Wiring diagram



Product Dimension

