

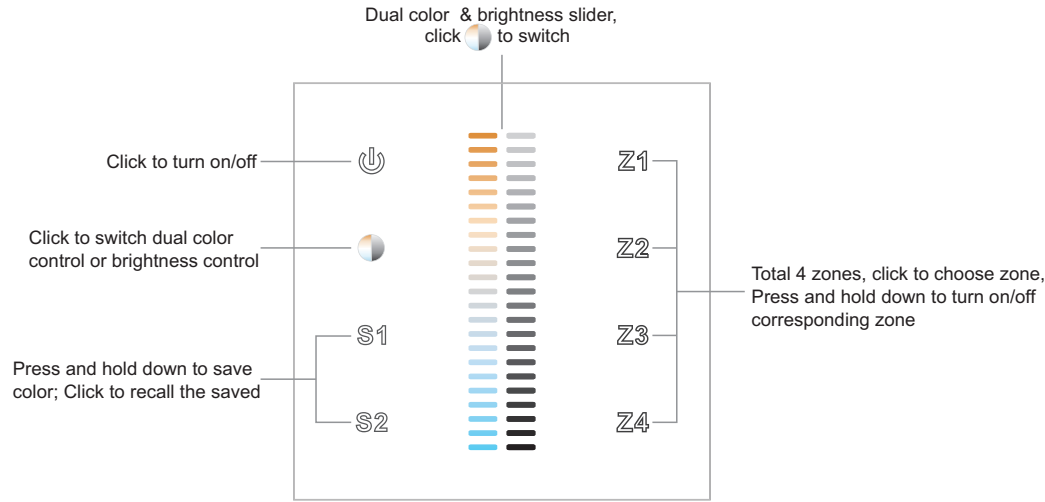
# Dual Color DMX512 Controller

09.280BD.04187

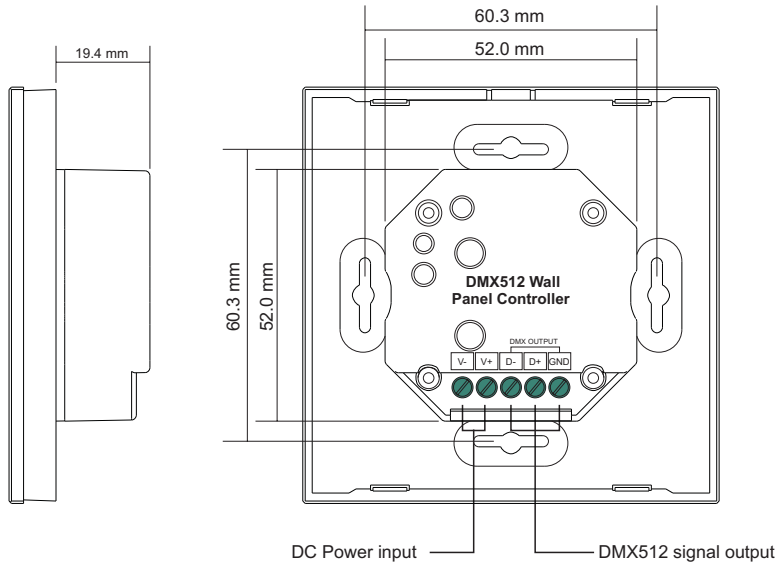


**Important:** Read All Instructions Prior to Installation

## Function introduction



Front side



Back side

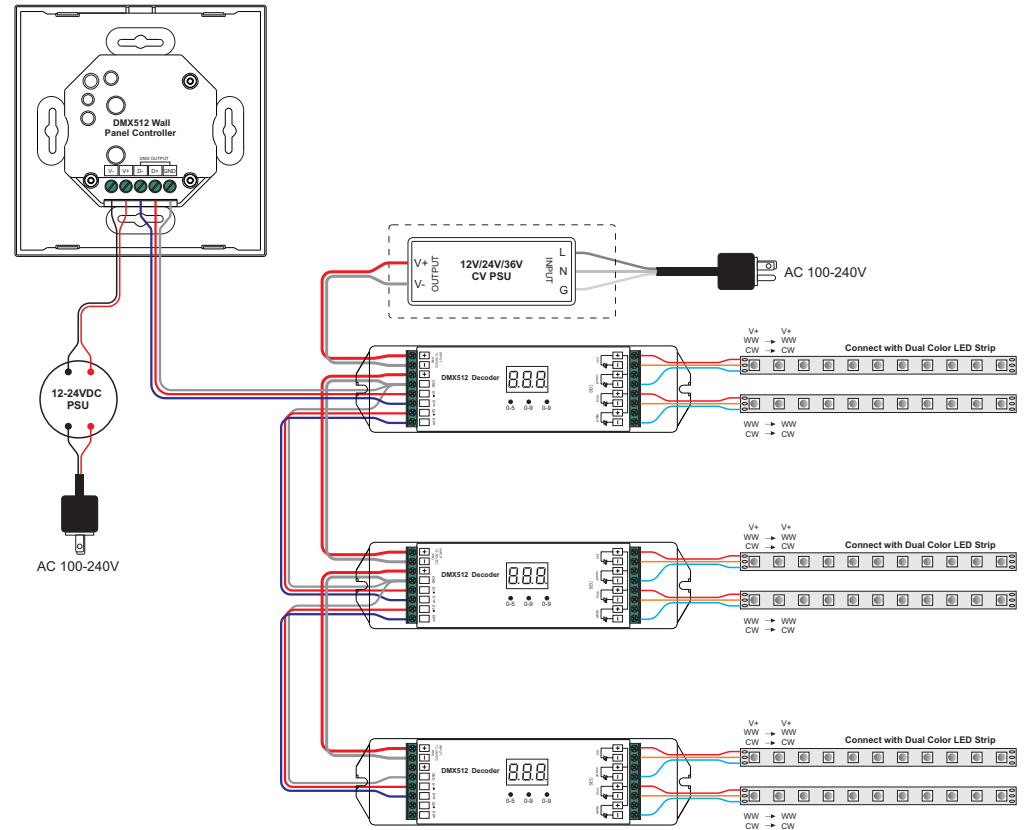
## Product Data

Output Signal	DMX512 signal
Power Supply	12-24VDC
Power consumption	< 20 mA
Operating temperature	0-40°C
Relative humidity	8% to 80%
Dimensions	86x86x29.1mm

- Touch sensitive
- Glass interface(white & black)
- Standard DMX512 Signal output
- Control CCT color
- Control 4 zones synchronously and separately
- Waterproof grade: IP20

## Safety & Warnings

- DO NOT install with power applied to device.
- DO NOT expose the device to moisture.



## Set DMX Address

This DMX master controller controls 4 zones of DMX decoders by setting DMX decoders' address as follows:  
 DMX decoders with address 001 will be controlled by zone 1,  
 DMX decoders with address 005 will be controlled by zone 2,  
 DMX decoders with address 009 will be controlled by zone 3,  
 DMX decoders with address 013 will be controlled by zone 4.

Installation

